

# CITY OF SIERRA VISTA DETAILS INDEX - PUBLIC

## 100 Series: General Information

DETAIL #	TITLE	REV DATE
SV001	PROJECT SIGN DETAIL	06/2021
SV003	PRIVATE ROAD SIGN DETAIL	06/2021
SV100	TYPICAL SIDEWALK/PATH CLEARANCE	06/2021
SV 117	SIGN POST DETAIL	06/2021
SV117-1	STOP SIGN & STREET NAME SIGN INSTALLATION	06/2021
SV117-2	SIGN PLACEMENT ON SHARED-USE PATH DETAIL	08/2023
SV117-3	SIGN PLACEMENT DETAIL ADJACENT TO SIDEWALKS	06/2021
SV120	SURVEY MARKER FOR LOCAL STREETS	06/2021
SV170	8 YARD DUMPSTER PAD DETAIL	06/2021
SV170-1	DOUBLE DUMPSTER DETAIL	06/2021
SV170-2	SUPPLEMENTAL DUMPSTER DETAIL	06/2021

## 200 Series: Street Information

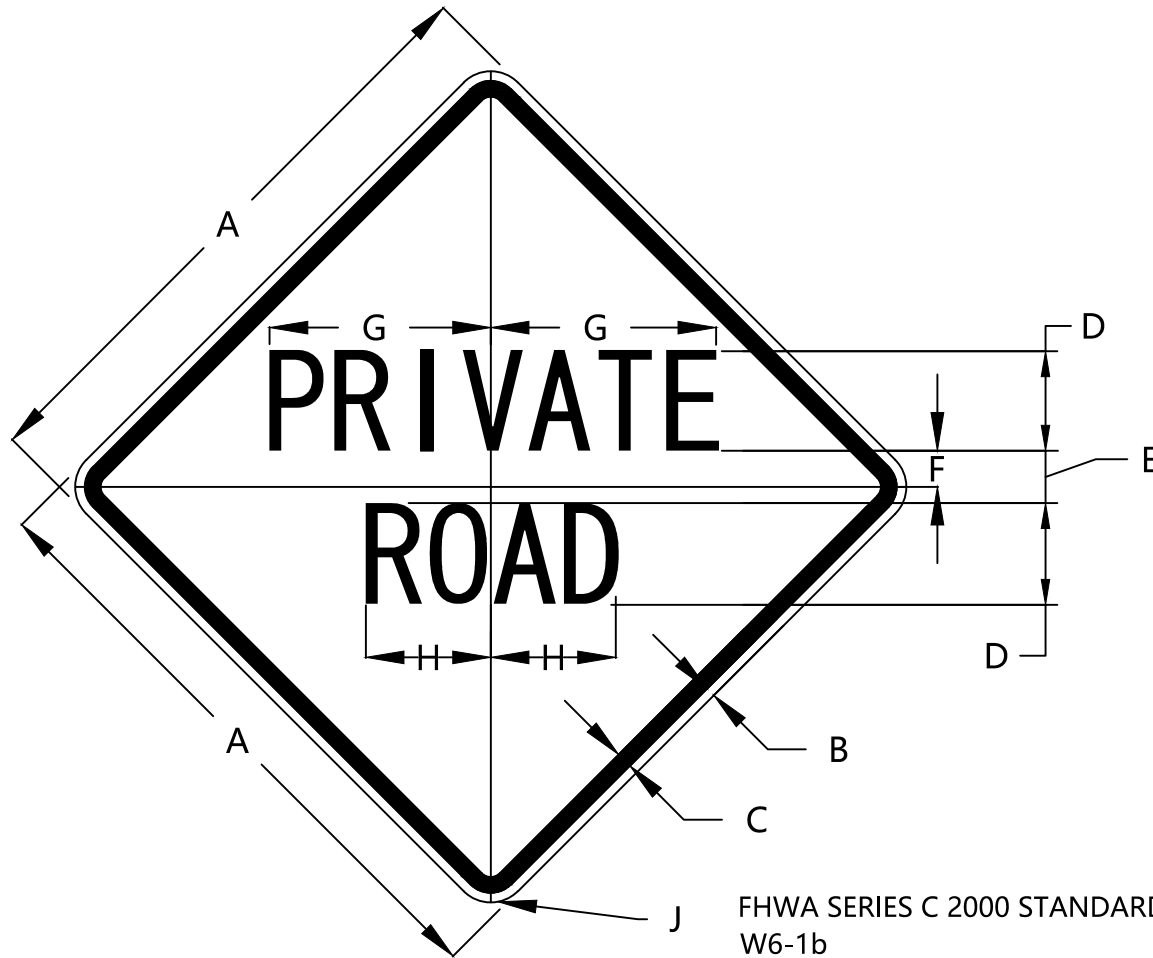
SV200	ASPHALT PAVEMENT CRACK SEALING AND FILLING	06/2021
SV200-1-A	"T TOP" TRENCH BACKFILL AND SURFACE REPLACEMENT DETAIL	06/2021
SV200-2	TRENCH BACKFILL AND SURFACE REPLACEMENT DETAIL	06/2021
SV200-3	STORM DRAIN/SEWER/UTILITY BACKFILL & BEDDING DETAIL	06/2021
SV200-4	BACKFILL & BEDDING TABLE	06/2021
SV201	TYPICAL PAVEMENT SECTION AT TERMINATION DETAIL	06/2021
SV203	SCUPPER DETAIL, FORMER SV206-3	05/2022
SV206-4	SHARED-USE PATH CONCRETE SCUPPER DETAIL, FORMER SV206-2	06/2021
SV211	STANDARD TRENCH PLATING DETAIL	01/2021
SV212	18"-24" UTILITY POTHOLE REPAIR DETAIL	11/2022
SV220-1	CURB AND GUTTER TYPES A, B, C, AND D DETAIL	07/2023
SV220-1-A	VERTICAL CURB AND GUTTER DETAIL TYPE 'A'	07/2023
SV220-1-C	ROLLED CURB AND GUTTER DETAIL TYPE 'C'	07/2023
SV221	CURB AND GUTTER TRANSITION	08/2022
SV222	SINGLE CURB – TYPE 'A' AND TERMINATION	12/2022
SV230	SIDEWALK DETAIL	06/2021
SV231	SHARED-USE PATH DETAIL	09/2023
SV231-1	SHARED-USE PATH HANDRAIL AND FOOTER DETAIL	06/2021
SV231-2	SHARED-USE PATH PAVEMENT MARKINGS DETAIL	06/2021
SV235-1	ADA RAMPS WITH TRUNCATED DOME PAVERS	06/2021
SV235-2	EXISTING ADA RAMP MODIFICATION WITH TRUNCATED DOME PAVERS	06/2021
SV235-3	ADA CURB RAMP	06/2021

SV240	VALLEY GUTTER	11/2022
SV251	RETURN TYPE DRIVEWAYS FOR COMMERCIAL PROPERTIES DETAIL	06/2021
SV262	COMBINED RESIDENTIAL/COMMERCIAL ALLEYWAY AND DRIVEWAY ENTRANCE	05/2022
SV262-1	DRIVEWAY DETAIL WITH ROLLED CURB	12/2022
SV263	ADA TRUNCATED DOME WARNING PAVERS	06/2021
SV280	BIKE LANE MARKINGS DETAIL	06/2021
SV281	ADA PARKING DETAIL	06/2022
<b>400 Series: Sewer Information</b>		
SV420-4	CONCRETE SANITARY SEWER MANHOLE	01/2024
SV420-5	MANHOLE OVER EXISTING LINE	06/2021
SV421	OFFSET MANHOLE 8" TO 30" PIPE	06/2021
SV422-1	MANHOLE FRAME AND COVER ADJUSTMENT	01/2024
SV422-2	CONCRETE COLLAR FOR UNPAVED AREAS	01/2024
SV428	MANHOLE STEPS DETAIL	01/2024
SV440	NEW SEWER BUILDING CONNECTIONS	01/2024
SV441	SEWER CLEANOUT AT TERMINATION OF SEWER MAINLINE	01/2023
SV442	BACKFLOW ASSEMBLY SEWER CONNECTION, FORMER SV247	06/2021
<b>500 Series: Irrigation and Storm Drain Information</b>		
SV556-1	HANDPLACED GROUTED RIP RAP EMBANKMENT PROTECTION/ ARMOR, FORMER SV101	06/2021
SV556-2	DUMPED RIP RAP EMBANKMENT PROTECTION/ ARMOR, FORMER SV102	06/2021
SV561	IRRIGATION TRENCHING AND PIPE INSTALLATION DETAIL	06/2021



NOTE:

SIGN SHALL MEET MUTCD STANDARDS.



A	B	C	D	E	F	G	H	J
24	.375	.625	4 C	2	1.361	8.286	5.504	1.5
30	.5	.75	5 C	2.481	1.721	10.367	6.885	1.875
36	.625	.875	6 C	3	2.081	12.449	8.266	2.25
48	.75	1.25	8 C	4	2.802	16.592	11.028	3

COLORS:

LEGEND - BLACK  
BACKGROUND - YELLOW (RETROREFLECTIVE)

FHWA SERIES C 2000 STANDARD ALPHABETS  
W6-1b

MODIFIED MUTCD SIGN SPEC W6-1b



CITY OF SIERRA VISTA  
1011 North Coronado Drive  
Sierra Vista, AZ 85635  
520-458-5775

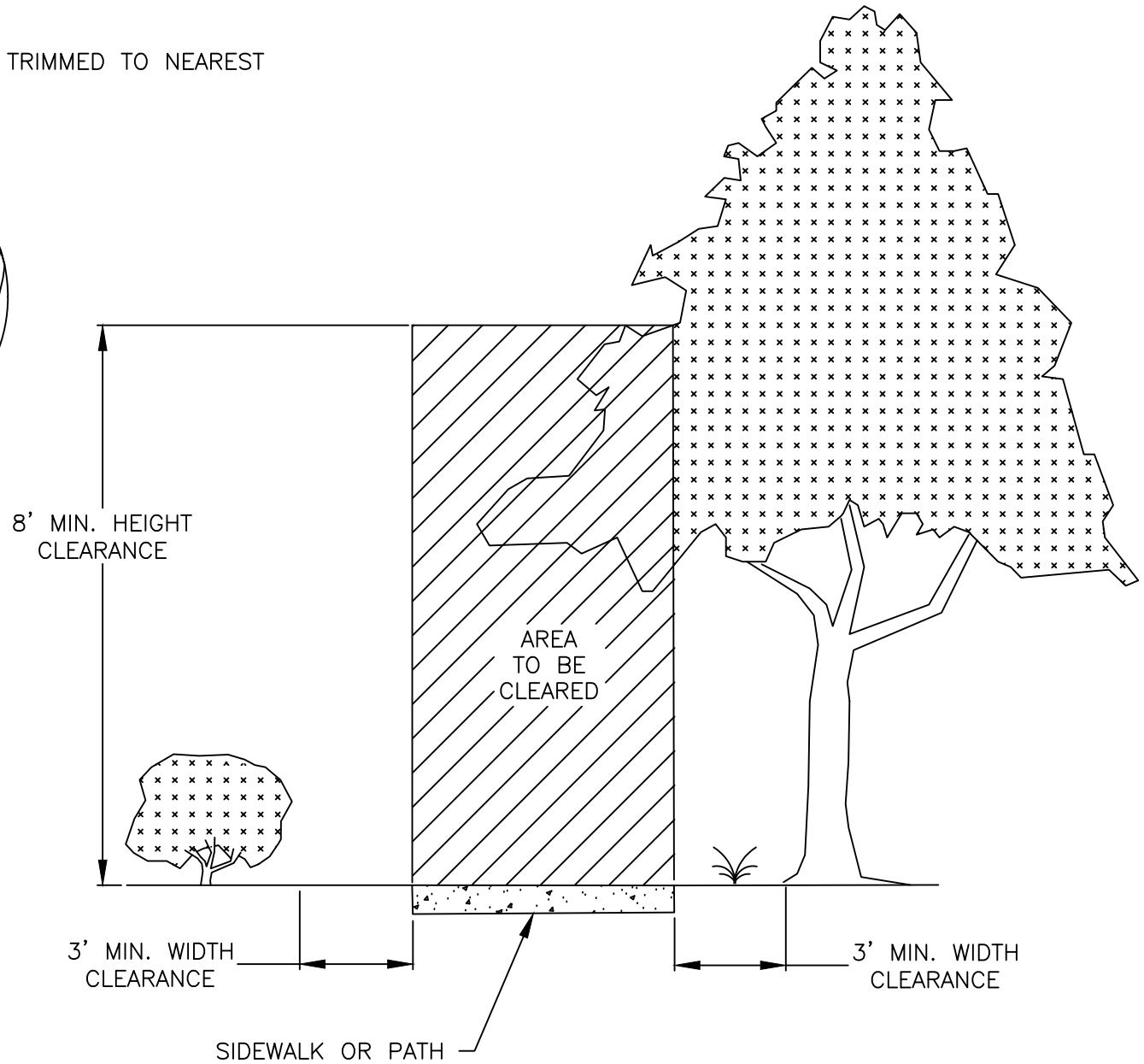
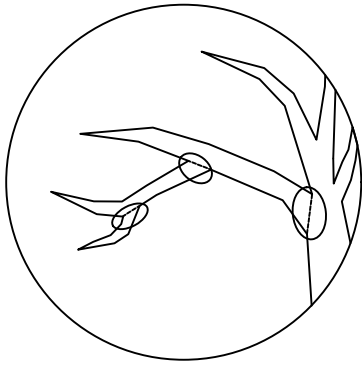
CITY OF SIERRA VISTA  
PRIVATE ROAD SIGN DETAIL

REVISED: 06/2021  
SCALE: NTS

DETAIL NO:  
SV003

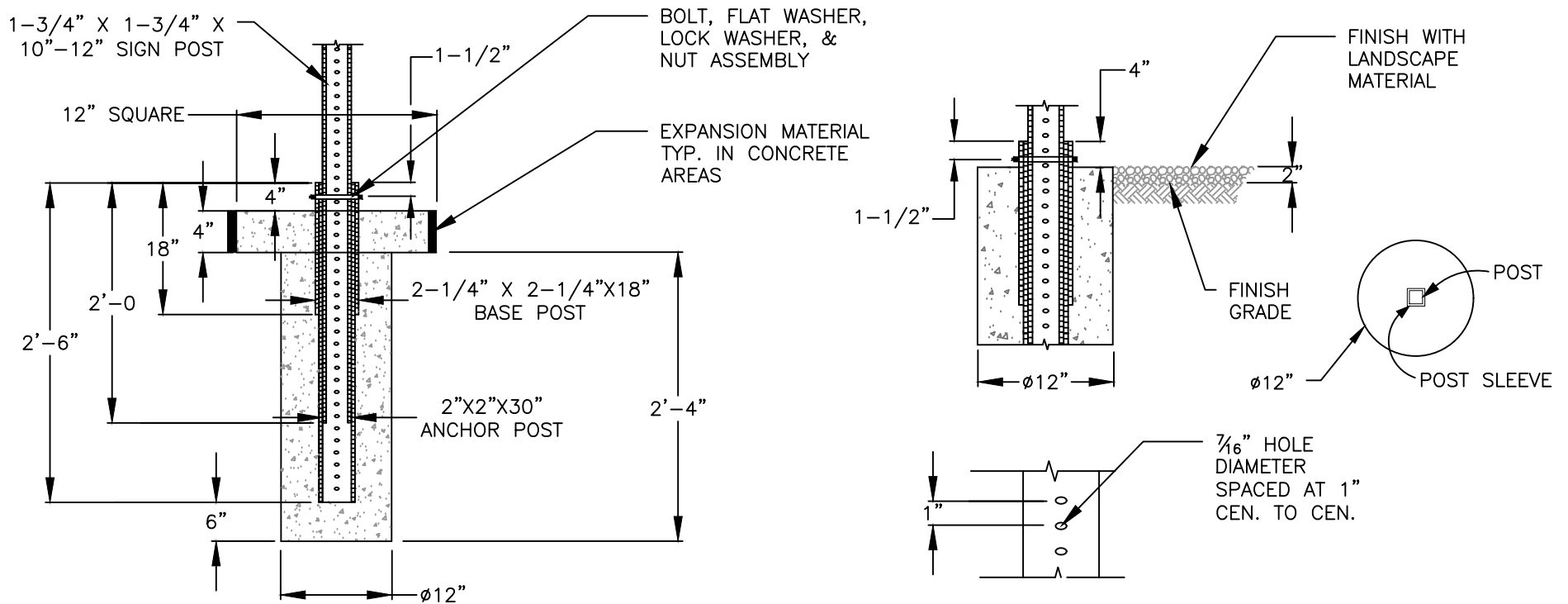
NOTE:

TREE/SHRUBS/PLANTS SHALL BE TRIMMED TO NEAREST INTERSECTING BRANCH.



NOTES/MATERIALS:

1. PERFORATED POSTS SHALL BE SQUARE TUBE FORMED FROM 0.105 U.S.S. GAUGE A.S.T.M. A-366 COLD ROLLED CARBON STEEL. THE SQUARE TUBES SHALL BE WELDED DIRECTLY IN THE CORNER BY HIGH FREQUENCY RESISTANCE WELDING OR EQUAL. THE POSTS SHALL BE EXTERNALLY SCARIFIED TO AGREE WITH STD. CORNER RADII OF 5/32" TO 1/64".
2. PERFORATED POSTS SHALL BE GALVANIZED TO CONFORM TO A.S.T.M. A-525. COATING DESIGNATION G-90.
3. ALL HARDWARE SHALL CONFORM TO A.S.T.M. A-307 CLASS A.
4. ALL HARDWARE SHALL BE GALVANIZED TO CONFORM TO A.S.T.M. A-153 OR CADMIUM PLATED TO CONFORM TO A.S.T.M. A-165.
5. ALL CONCRETE FOR SIGN FOUNDATION SHALL BE CLASS "A" CONC. PER MAG STD. SECT. 725 & CURE FOR A MINIMUM OF 72 HOURS PRIOR TO SIGN INSTALLATION.
6. FOUNDATION WILL BE CONSTRUCTED WITH A 2" X 2" X 30" ANCHOR POST & 2-1/4" X 2-1/4" X 18" BASE POST WRAPPED AND SEALED WITH DUCT TAPE.
7. POST FOUNDATIONS SHALL BE PERPENDICULAR TO THE ROADWAY.
8. BOLT WITH NUT AND LOCK WASHER TO BE 7/16"x3" GALVANIZED & SHALL BE FASTENED NO HIGHER THAN 1-1/2" FROM THE TOP OF THE BASE AND ANCHOR POSTS.
9. BASE ASSEMBLY SHALL NOT EXCEED 4" ABOVE FINAL GRADE.
10. BOLT, FLAT WASHER, LOCK WASHER AND NUT ASSEMBLY SHALL BE PERPENDICULAR TO MAJOR OR CRITICAL TRAFFIC.



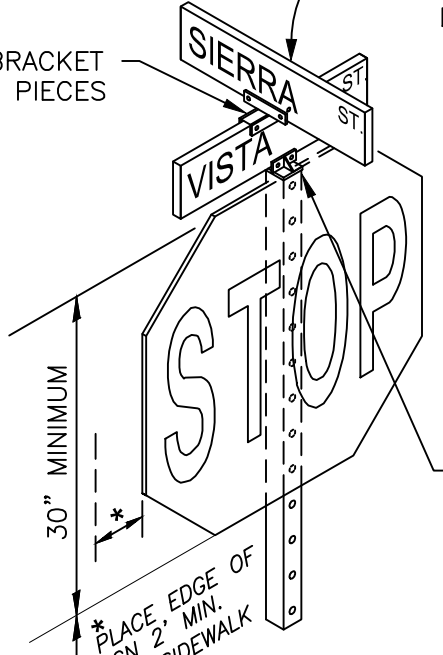
CITY OF SIERRA VISTA  
1011 North Coronado Drive  
Sierra Vista, AZ 85635  
520-458-5775

CITY OF SIERRA VISTA  
SIGN POST DETAIL

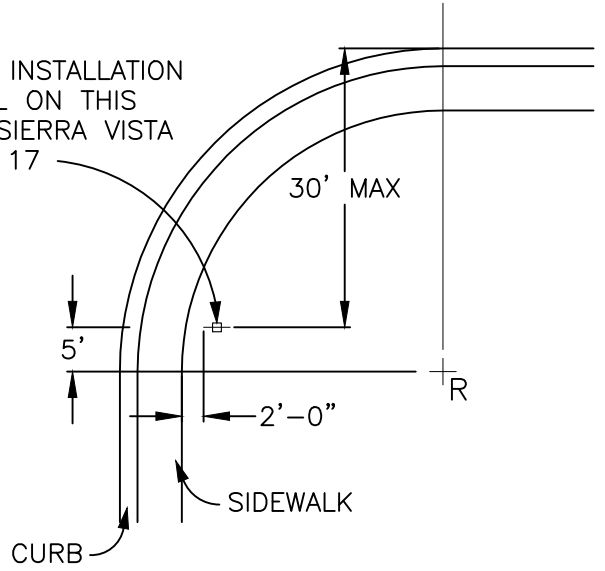
REVISED: 06/2021	SCALE: NTS
DETAIL NO: SV117	

AT STREET INTERSECTIONS INSTALL DOUBLE FACED EXTRUDED SIGNS FOR EACH STREET NAME. VANDAL-PROOF HARDWARE FOR FASTENING AS APPROVED BY THE CITY OF SIERRA VISTA DEPARTMENT OF PUBLIC WORKS.

SIGN BRACKET CROSS PIECES



FOR POST INSTALLATION SEE DETAIL ON THIS SHEET & SIERRA VISTA DETAIL SV117



SQUARE POST MOUNT/CAPS FOR EXTRUDED SIGNS

**TYPICAL SUBDIVISION  
PLACEMENT DETAIL**

7'-0" MINIMUM

30" MINIMUM

\*PLACE EDGE OF SIGN 2" MIN. FROM SIDEWALK

SEE SIERRA VISTA DETAIL SV117 FOR FOUNDATION DETAILS



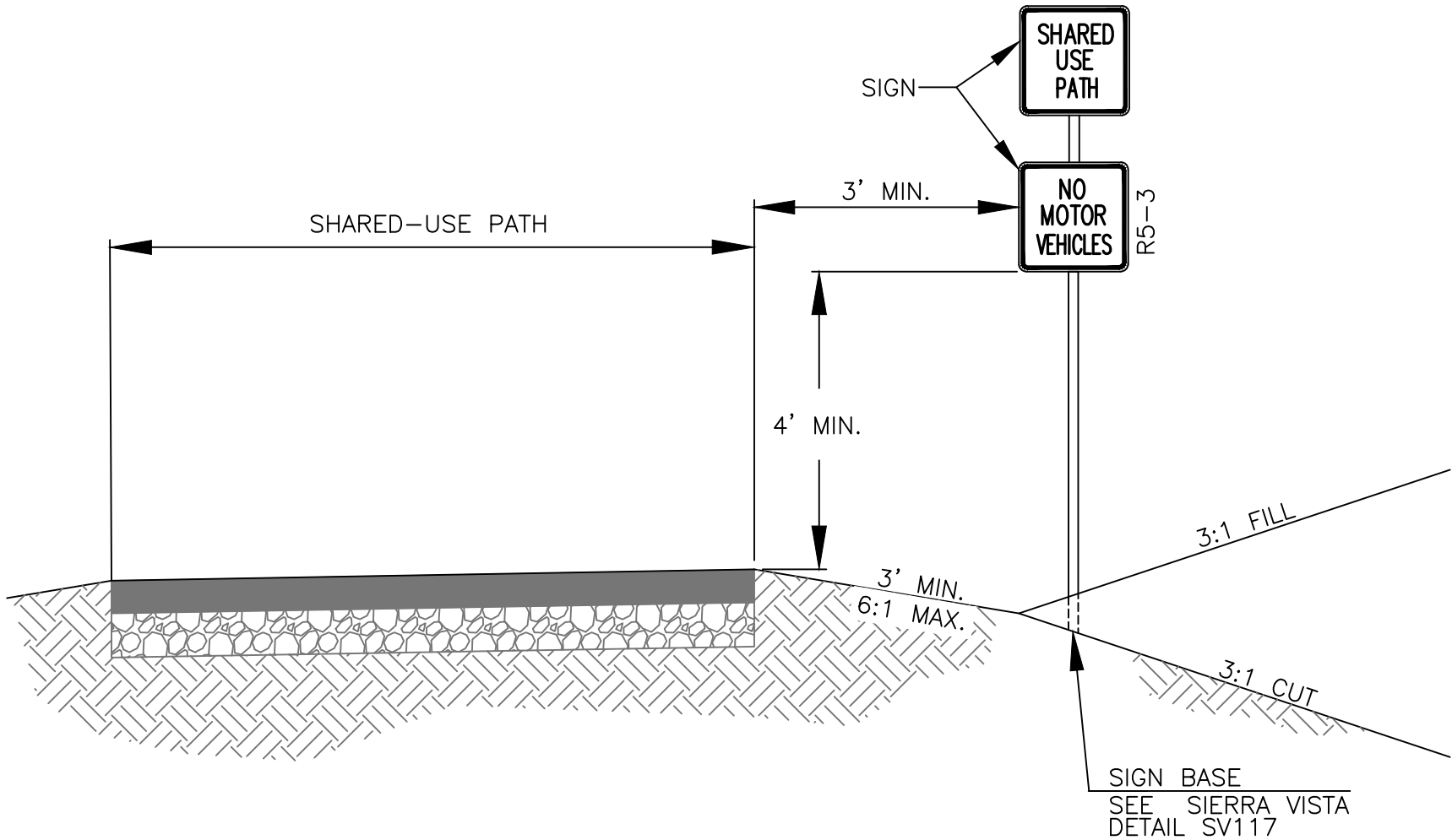
CITY OF SIERRA VISTA  
1011 North Coronado Drive  
Sierra Vista, AZ 85635  
520-458-5775

**CITY OF SIERRA VISTA  
STOP SIGN & STREET NAME  
SIGN INSTALLATION**

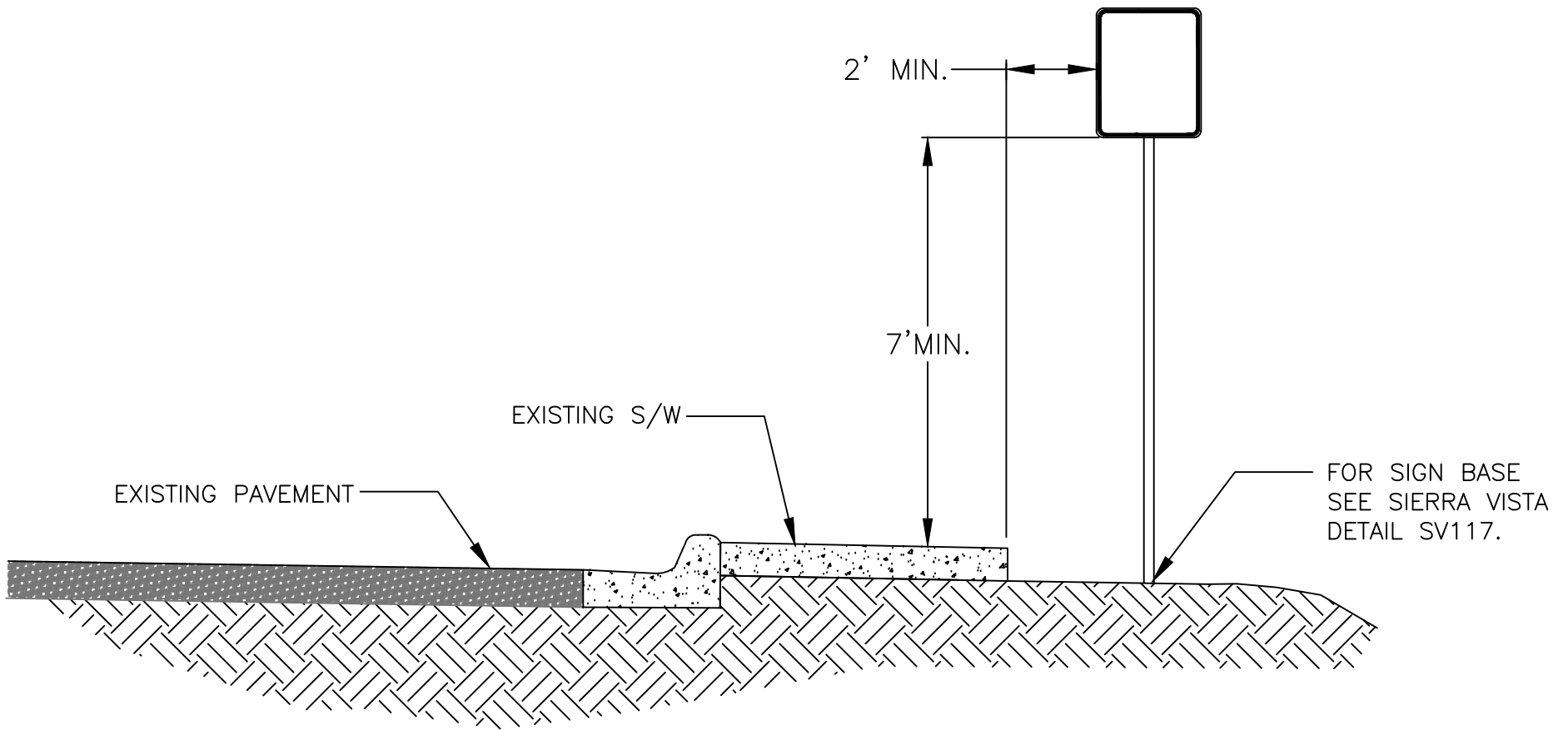
REVISED:  
06/2021

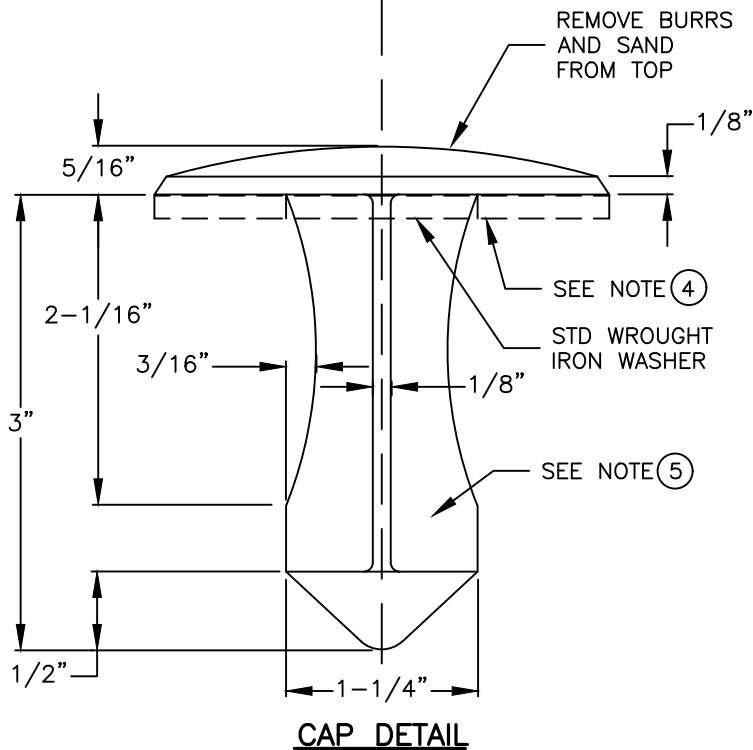
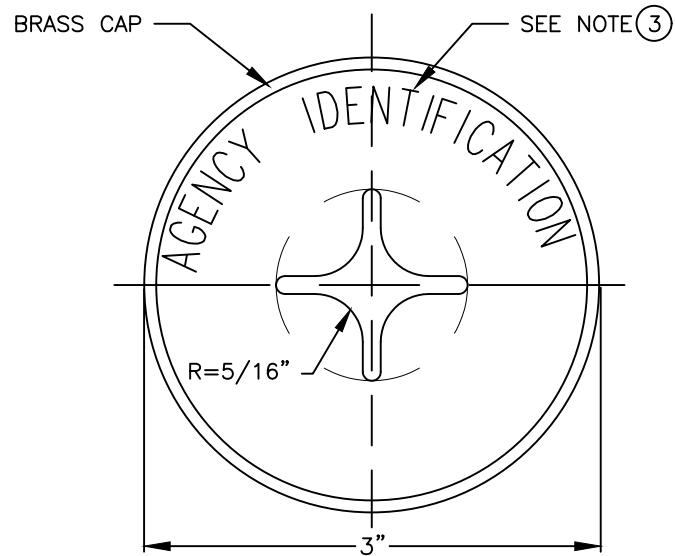
SCALE:  
NTS

DETAIL NO:  
**SV117-1**



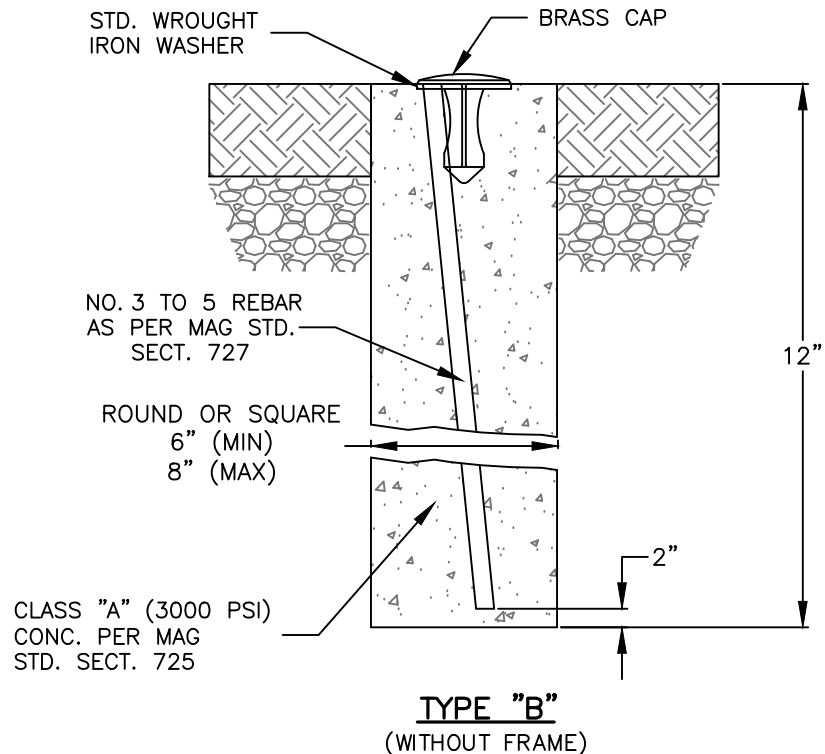






**NOTES:**

1. SURVEY MARKER WITH FRAME SHALL BE USED AT INTERSECTIONS OF MAJOR STREETS & COLLECTOR STREETS, AND AT OTHER SPECIAL POINTS AS SHOWN ON PLANS. SEE MAG STD. DETAIL 120, TYPE "A".
2. SURVEY MARKER WITHOUT FRAME SHALL BE USED AT INTERSECTION OF LOCAL STREET CENTERLINES (EXCEPT WHERE TYPE "A" IS SPECIFIED), AT P.C.'s AND P.T.'s OF CURVES, AND AT OTHER POINTS AS SHOWN ON PLANS. SEE TYPE "B" BELOW.
- (3) LETTERS TO BE APPROX. 1/32" WIDE & 1/32" DEEP.
- (4) USE STANDARD WROUGHT IRON WASHER 3" O.D. X 11/64" THICK WITH 1-3/8" HOLE.
- (5) CAP TO BE CONSTRUCTED OF RED BRASS OR BRONZE.



MODIFIED MAG DETAIL 120



CITY OF SIERRA VISTA  
1011 North Coronado Drive  
Sierra Vista, AZ 85635  
520-458-5775

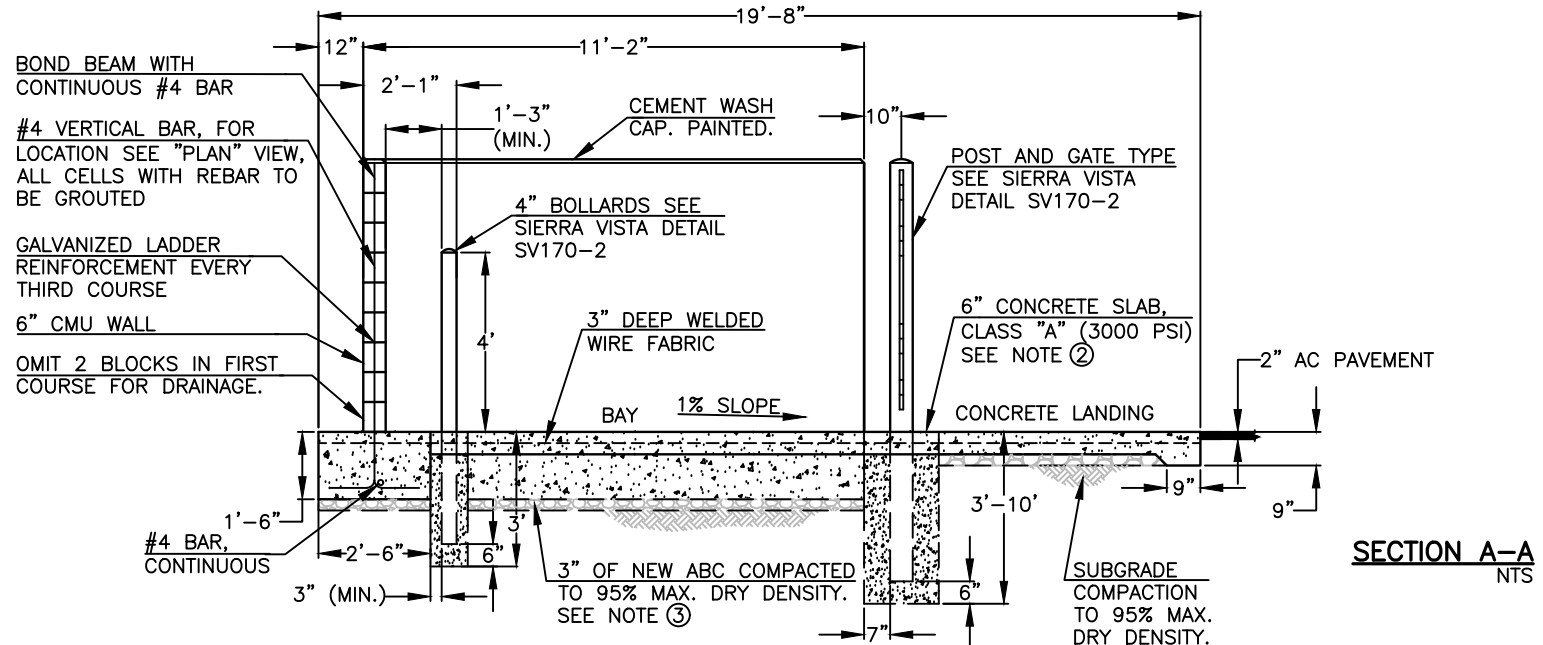
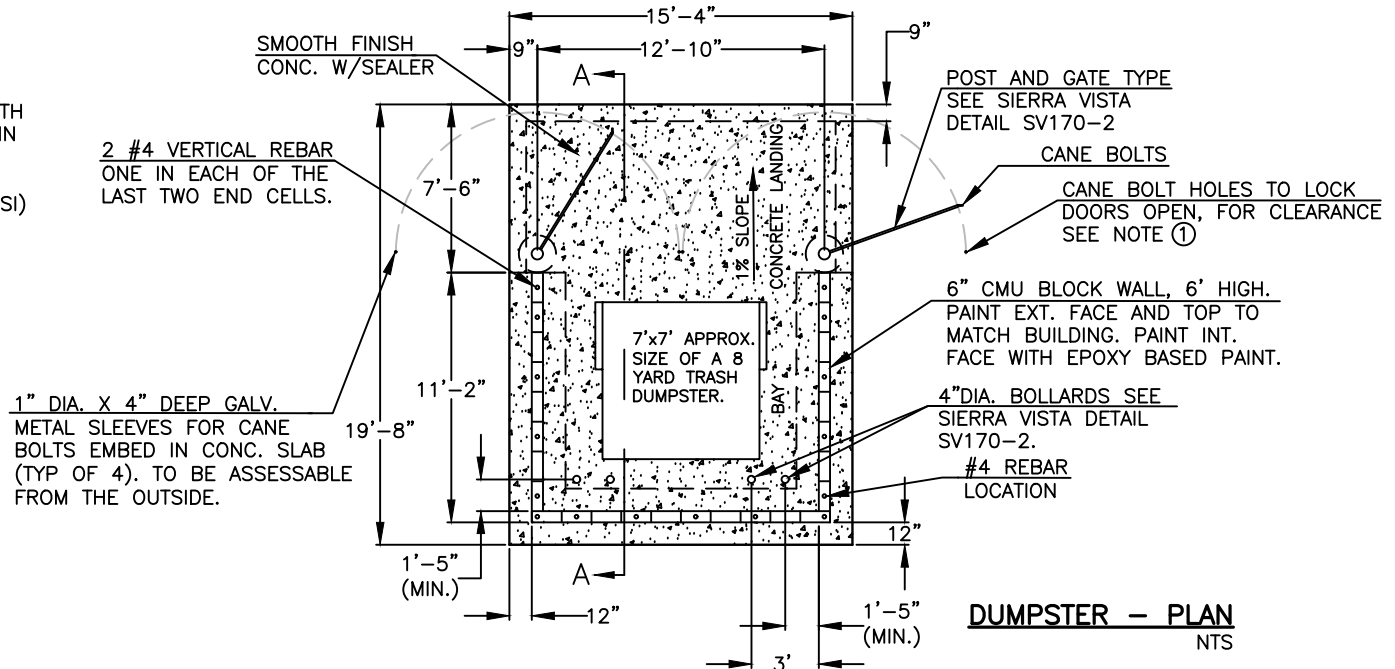
CITY OF SIERRA VISTA  
SURVEY MARKER  
FOR LOCAL STREETS

REVISED: 06/2021 SCALE: NTS

DETAIL NO:  
**SV120**

**NOTES:**

- ① GATES SHALL HAVE 180° OPEN CLEARANCE WITH CANE BOLTS & CANE BOLT HOLES TO MAINTAIN OPEN POSITION.
- ② ALL CONCRETE SHALL BE CLASS "A" (3000 PSI) PER MAG STD. SECT. 725.
- ③ ALL ABC SHALL BE PER SIERRA VISTA DETAIL SV200-4.



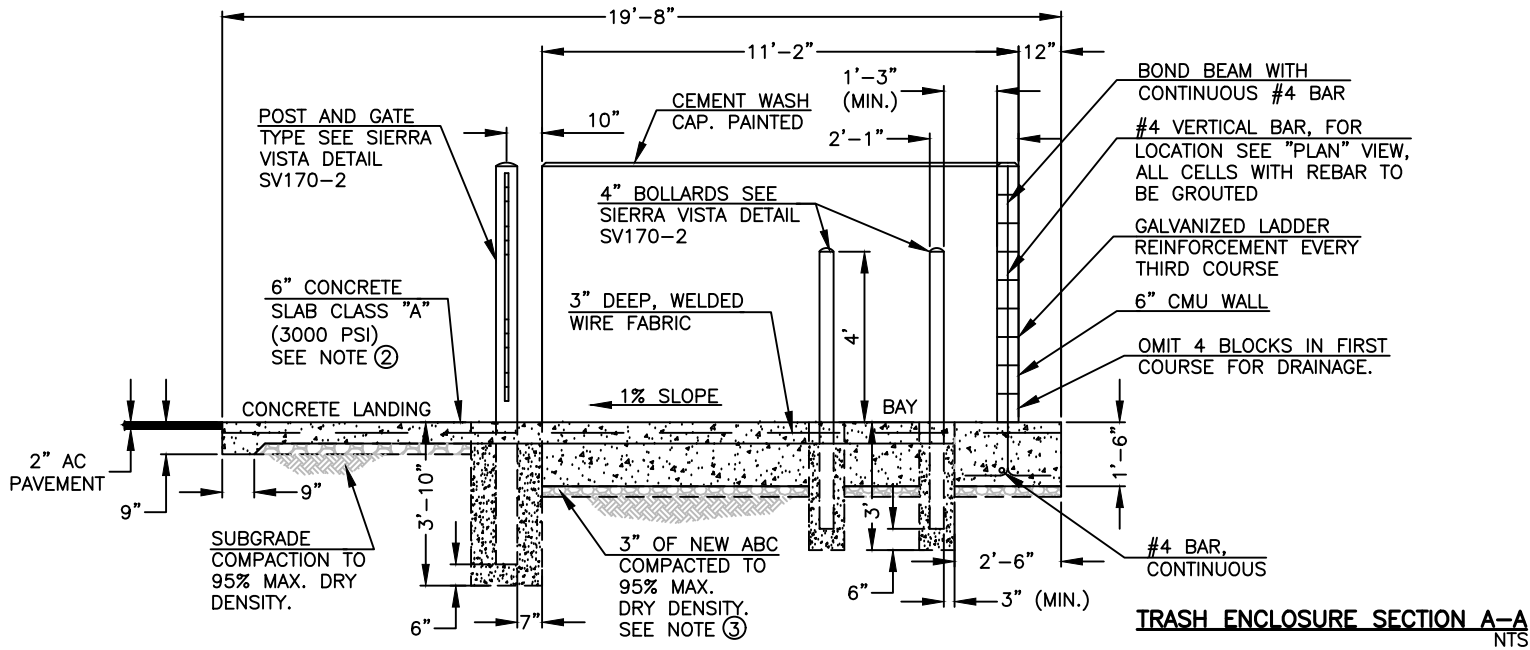
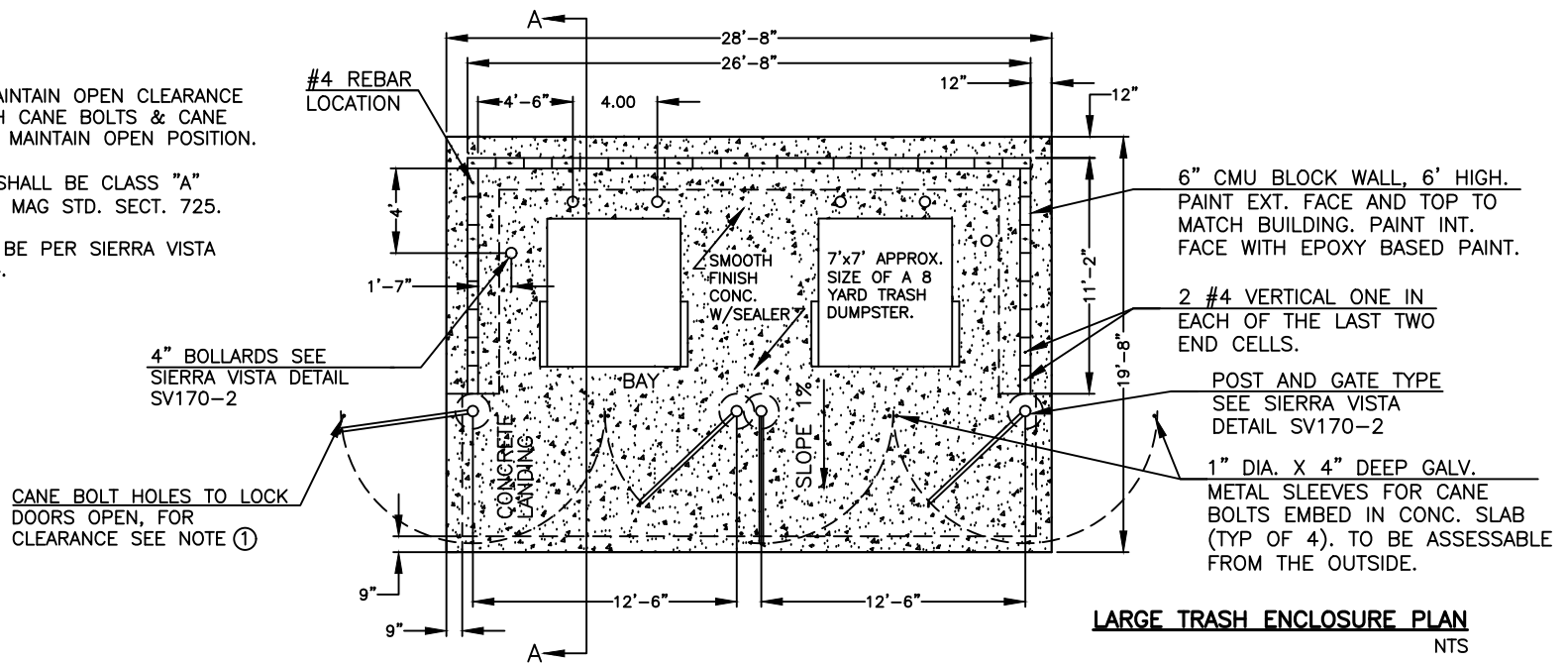
CITY OF SIERRA VISTA  
 1011 North Coronado Drive  
 Sierra Vista, AZ 85635  
 520-458-5775

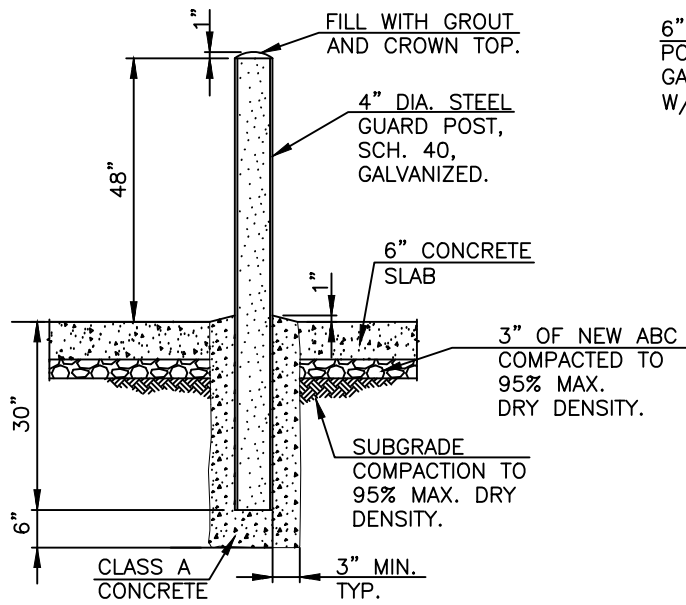
CITY OF SIERRA VISTA  
 8 YARD DUMPSTER PAD DETAIL

REVISED: 06/2021	SCALE: NTS
DETAIL NO: SV170	

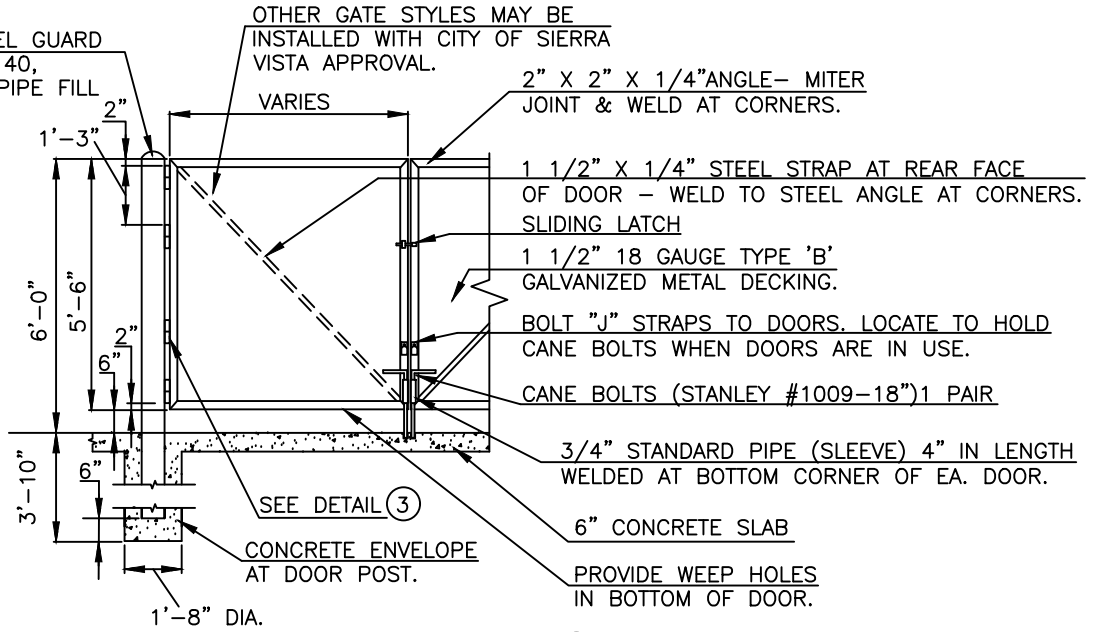
**NOTES:**

- ① GATES SHALL MAINTAIN OPEN CLEARANCE PER DETAIL WITH CANE BOLTS & CANE BOLT HOLES TO MAINTAIN OPEN POSITION.
- ② ALL CONCRETE SHALL BE CLASS "A" (3000 PSI) PER MAG STD. SECT. 725.
- ③ ALL ABC SHALL BE PER SIERRA VISTA DETAIL SV200-4.





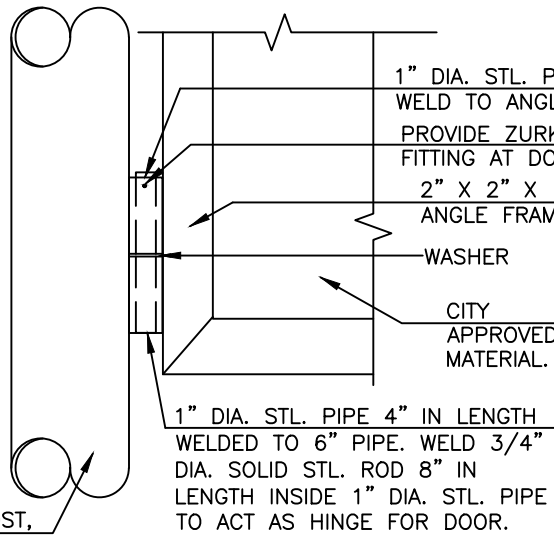
**PERMANENT BOLLARD ①**



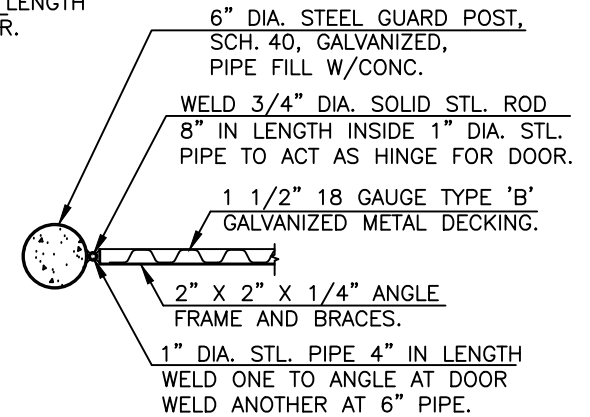
**SUGGESTED GATE ②**

**NOTES:**

- GATES SHALL MAINTAIN OPEN CLEARANCE PER DETAIL WITH CANE BOLTS & CANE BOLT HOLES TO MAINTAIN OPEN POSITION.
- ALL CONCRETE SHALL BE CLASS "A" (3000 PSI) PER MAG STD. SECT. 725.
- ALL ABC SHALL BE PER SIERRA VISTA DETAIL SV200-4.



**JAMB AT TRASH ENCLOSURE ③**



**JAMB AT TRASH ENCLOSURE PLAN ④**



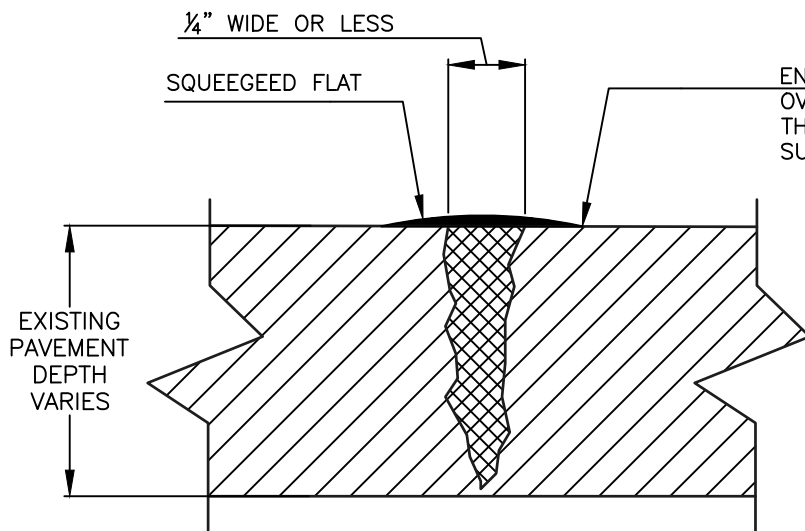
CITY OF SIERRA VISTA  
1011 North Coronado Drive  
Sierra Vista, AZ 85635  
520-458-5775

CITY OF SIERRA VISTA  
SUPPLEMENTAL DUMPSTER DETAIL

REVISED: 06/2021	SCALE: NTS
DETAIL NO: SV170-2	

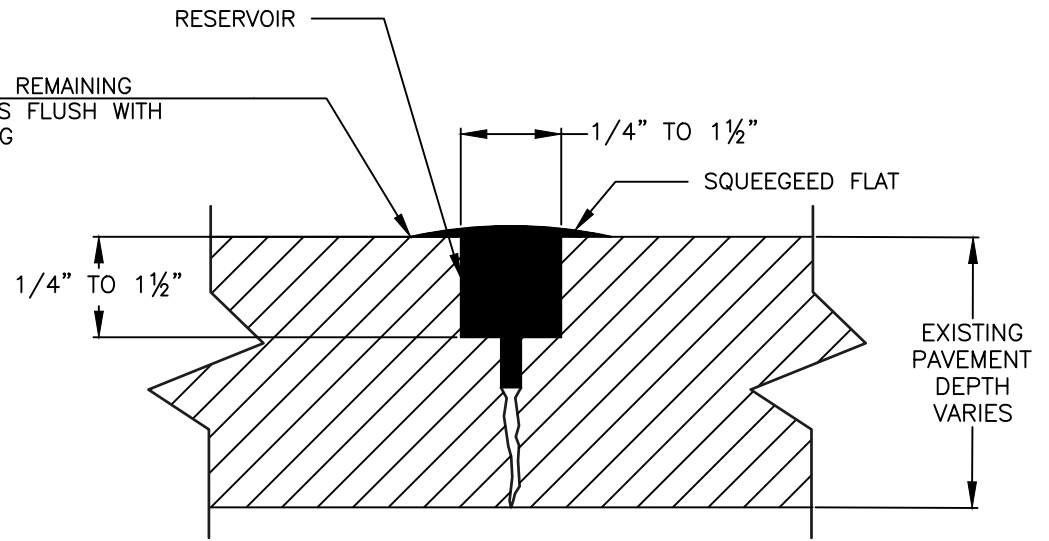
**NOTES:**

1. ALL ASPHALT PATCHES TO BE CRACKED SEALED.
2. PREPARE CRACKS FOR SEALING AND FILLING ACCORDING TO MAG STD. SECT. 337. FOLLOW MANUFACTURER'S RECOMMENDATIONS FOR SEALING AND FILLING CRACKS.
3. FORCE CRACK REPAIR MATERIAL INTO CRACKS TO ENSURE ADHESION TO EXISTING SURFACE.
4. CRACKS LARGER THAN 1½" SHALL BE "PATCHED" PER PROJECT ENGINEER.



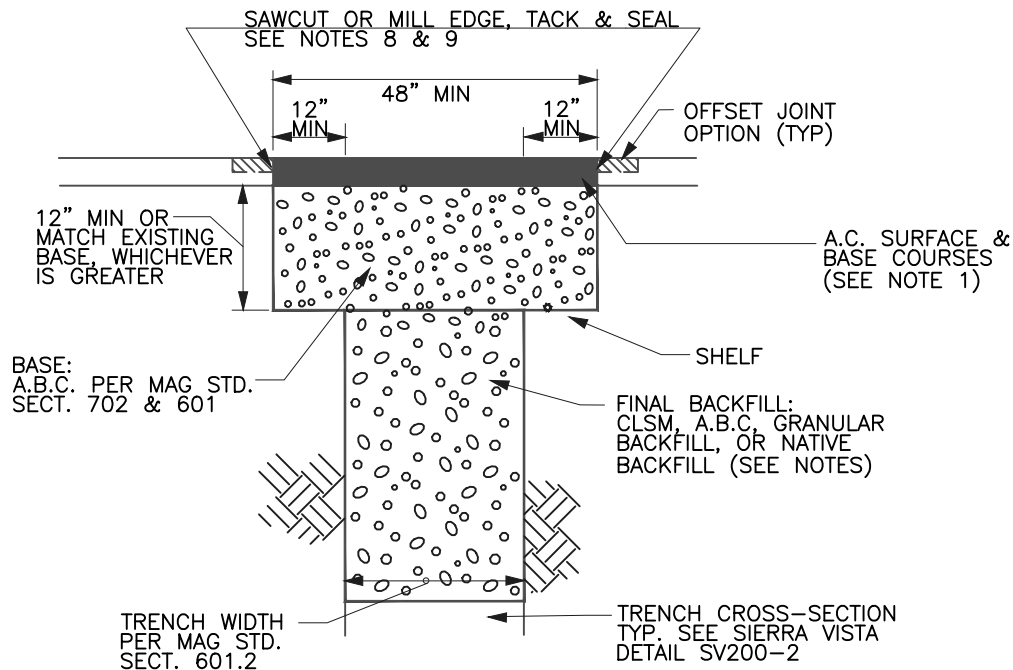
**CRACK SEALING**

**CRACKS LESS THAN ¼"**



**CRACK SEALING**

**CRACKS FROM ¼" TO 1½"**



### "T TOP" TRENCH REPAIR

(USE FOR TRANSVERSE TRENCH REPAIRS, SEE SIERRA VISTA DETAIL SV200-2)

**NOTES:**

1. PAVEMENT MATCHING, BASE COURSES AND SURFACE REPLACEMENT SHALL BE IN ACCORDANCE WITH MAG STD. SECT. 336 UNLESS OTHERWISE SPECIFIED IN CONTRACT DOCUMENTS.
2. TRENCH EXCAVATION, BACKFILLING AND COMPACTION SHALL BE IN ACCORDANCE WITH MAG STD. SECT. 601. NATIVE BACKFILL SHALL ONLY BE USED WITH AGENCY APPROVAL.
3. CLSM SHALL BE 1/2-SACK OR 1-SACK PER MAG STD. SECTIONS 604 AND 728.
4. MATERIAL FOR FINAL BACKFILL AND BASE (IF APPLICABLE) SHALL BE AS NOTED HEREIN UNLESS OTHERWISE SPECIFIED IN CONTRACT DOCUMENTS.
5. FINAL BACKFILL SHALL BE CLSM FOR TRENCH DEPTHS GREATER THAN 4 FEET UNLESS A SAFE (OHS COMPLIANT) WORKING SPACE AT LEAST 30" WIDE IS PROVIDED TO CONDUCT COMPACTION TESTING.
6. PROVIDE MINIMUM 12" WIDE SHELF AS SHOWN IN "T-TOP" TRENCH REPAIR AT ENDS OF TYPE "A" TRENCH REPAIR EXCEPT WHERE EDGE ABUTS EXISTING CONCRETE.
7. USE "T-TOP" PAVEMENT REPLACEMENT WHERE A TRENCH IS NOT PARALLEL TO A STREET OR GOES THROUGH AN INTERSECTION.
8. THE JOINT LOCATION OR JOINT CONFIGURATION MAY VARY FROM THAT SHOWN TO ELIMINATE REMNANTS, TO ELIMINATE FULL DEPTH SAWCUT JOINTS FROM BEING LOCATED WITHIN A WHEEL PATH AS REQUIRED BY MAG STD. SECT. 336, OR WHEN AN OFFSET JOINT IS CONSTRUCTED. SEE SIERRA VISTA DETAIL SV200-2 FOR REMNANT PAVEMENT REMOVAL REQUIREMENTS.
9. SAWCUT OR MILL EDGE AND APPLY TACK COAT. FOR PERMANENT PAVEMENT, APPLY 2-1/2" WIDE MAG STD. SECT. 337.2.1 COMPLIANT JOINT SEALANT AS REQUIRED BY AGENCY - SEE SIERRA VISTA DETAIL SV200-2.
10. EXPOSED COPPER OR POLYETHYLENE WATER PIPE UP TO 2" IN DIAMETER IN TRENCHES TO BE BACKFILLED WITH CLSM SHALL BE WRAPPED WITH MINIMUM 3/4" THICK PREFORMED PIPE-COVERING FOAM INSULATION BEFORE PLACING CLSM.
11. ABC WITHIN 24" BELOW PAVEMENT SHALL BE COMPACTED TO 100% STANDARD DRY DENSITY.

MODIFIED MAG DETAIL 200-1



CITY OF SIERRA VISTA  
1011 North Coronado Drive  
Sierra Vista, AZ 85635  
520-458-5775

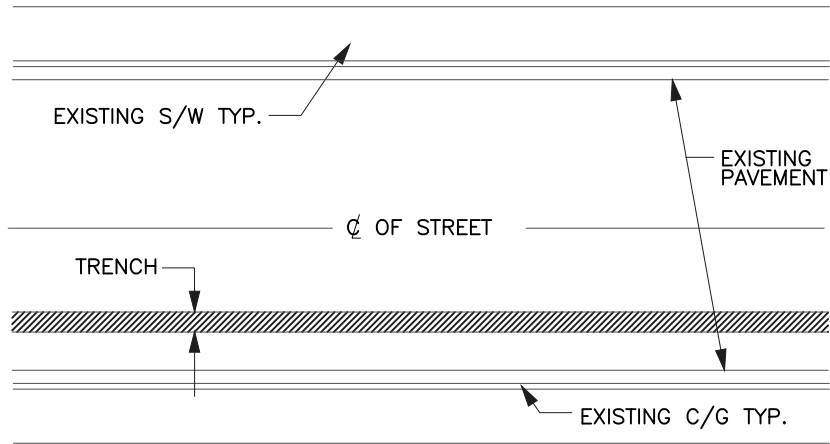
CITY OF SIERRA VISTA  
**"T TOP"**  
TRENCH BACKFILL AND SURFACE REPLACEMENT DETAIL

REVISED: 06/2021	SCALE: NTS
---------------------	---------------

DETAIL NO:  
SV200-1-A

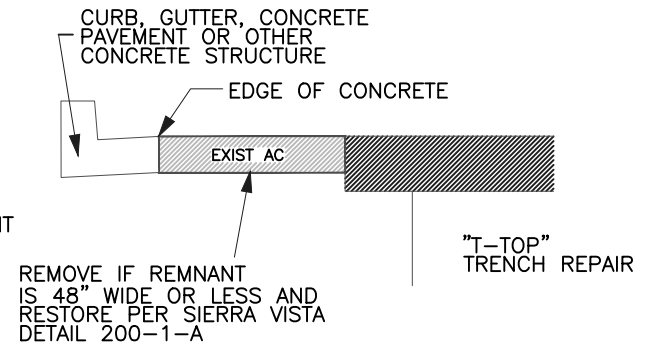
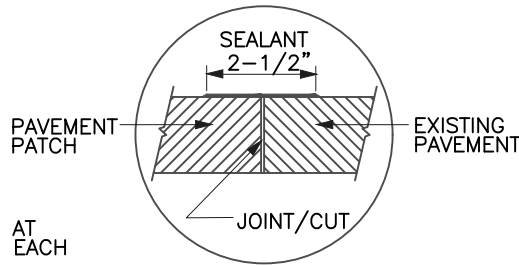
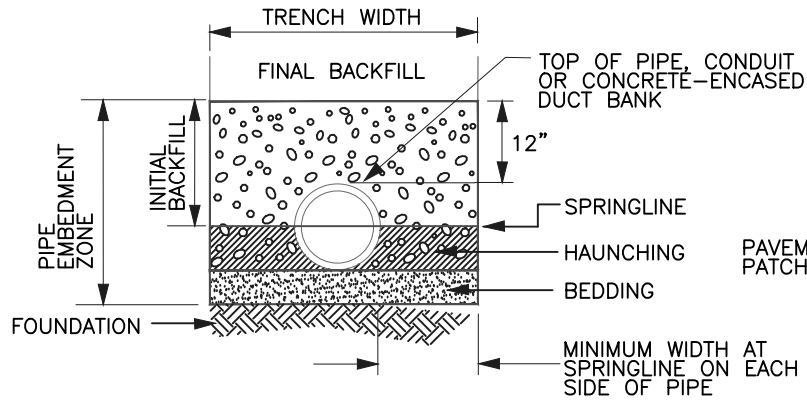
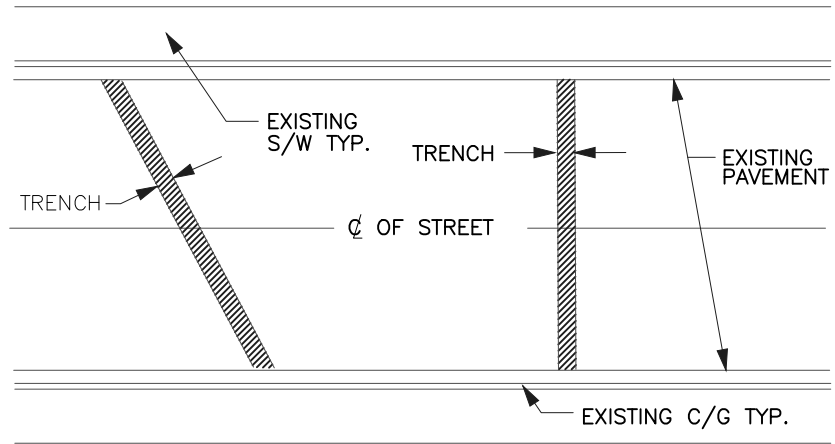
## LONGITUDINAL TRENCH

(TRENCH IN PAVEMENT PARALLEL TO TRAFFIC)



## TRANSVERSE TRENCH

(TRENCH IN PAVEMENT NOT PARALLEL TO TRAFFIC)



### TRENCH CROSS-SECTION DETAIL

### JOINT SEALANT DETAIL

### REMNANT PAVEMENT REMOVAL

**NOTES:**

1. SEE MAG STD. SECT. 601 FOR TRENCH EXCAVATION, BACKFILLING AND COMPACTION REQUIREMENTS.
2. SEE SIERRA VISTA DETAIL SV200-3 FOR DETAILED TRENCH REPAIR REQUIREMENTS FOR TRENCH TYPES NOTED HEREIN.
3. SEE SIERRA VISTA DETAIL SV211 FOR REQUIREMENTS REGARDING THE USE OF PLATING TRANSVERSE TRENCHES. USE OF STEEL PLATES SHALL NOT EXCEED 72 HOURS AFTER COMPLETION OF BACKFILL AND PRIOR TO FINAL PATCHING.
4. IF LONGITUDINAL TRENCH IS LOCATED WITHIN THE WHEEL PATH OF THE ROADWAY, THE DEPARTMENT SHALL DETERMINE AN APPROPRIATE ASPHALT PATCH WIDTH.

MODIFIED MAG DETAIL 200-2



CITY OF SIERRA VISTA  
1011 North Coronado Drive  
Sierra Vista, AZ 85635  
520-458-5775

## CITY OF SIERRA VISTA TRENCH BACKFILL AND SURFACE REPLACEMENT DETAIL

REVISED: 06/2021	SCALE: NTS
<b>DETAIL NO: SV200-2</b>	



**TRENCH REQUIREMENTS:**

1. A WIDER TRENCH SHALL BE ALLOWED IF A PULLBOX IS USED AS MEANS FOR TRENCH SHORING.
2. FOR ALL EXCAVATION AND TRENCHES, THE CONTRACTOR SHALL ADHERE STRICTLY WITH OSHA CFR PART 1926 SUBPART P.
3. TRENCH EXCAVATIONS OVER 20- FEET IN DEPTH SHALL HAVE AN APPROVED SHORING PLAN, STAMPED BY A REGISTERED PROFESSIONAL ENGINEER TO BE SUBMITTED BY THE CONTRACTOR, FOR APPROVAL BY THE CITY OF SIERRA VISTA.

**AGGREGATE BASE**

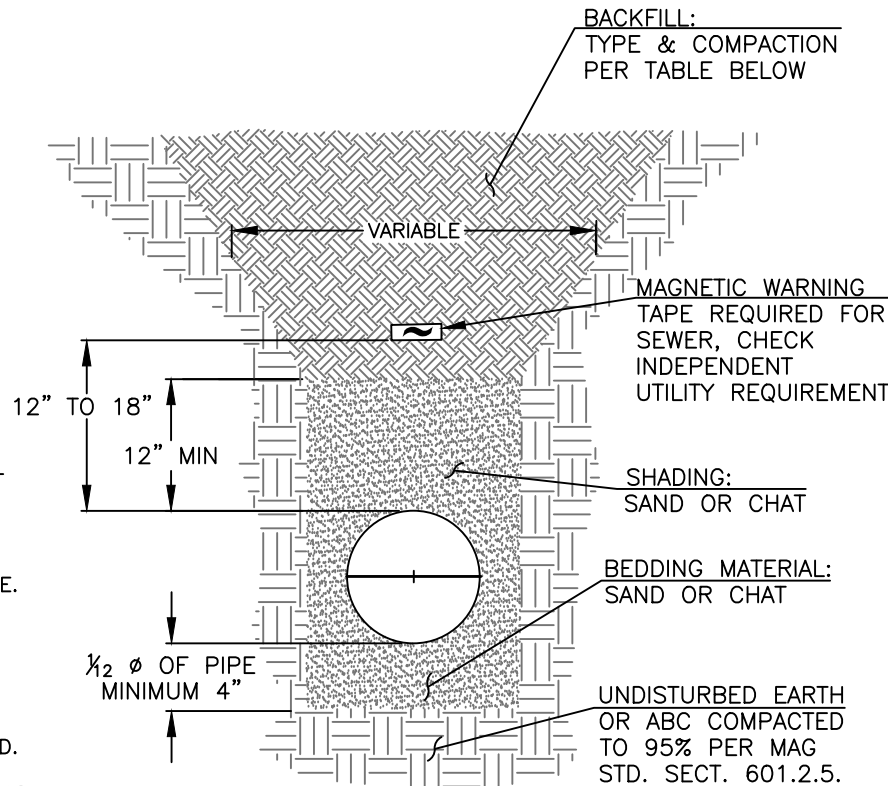
- AGGREGATE BASE PER SIERRA VISTA DETAIL SV200-4.
- RECLAIMED CONCRETE MATERIAL (RCM) IN ACCORDANCE WITH MAG STD. SECT. 701.4 MAY BE SUBSTITUTED FOR AGGREGATE BASE.

**NON SHRINK SLURRY**

- ONE SACK TYPE II PORTLAND CONCRETE CEMENT PER CUBIC YARD.
- TYPE "B" SELECT AGGREGATE PER MAG STD. SECT. 702, OR AGGREGATE BASE COURSE, OR RECLAIMED CONCRETE MATERIAL PER MAG STD. SECT. 701.4 AND 702.

**ALLOWABLE BEDDING & SHADING SAND OR CHAT**

- 100% PASSING 1/2" SIEVE.
- SUM OF PI PLUS 200 SIEVE SHALL BE LESS THAN 23.



**ALLOWABLE TRENCH BACKFILL MATERIALS**

- NATIVE MATERIAL:**
1. NATIVE MATERIAL SHALL BE USED WHERE FOUND SUITABLE BY A GEOTECHNICAL REPORT. A GEOTECHNICAL REPORT SHALL BE SUBMITTED TO THE CITY BY THE OWNER, FOR APPROVAL PRIOR TO CONSTRUCTION.
  2. MATERIAL SPECIFICATIONS AND TESTING SHALL CONFORM TO SECTION 151.08.011 OF THE SIERRA VISTA DEVELOPMENT CODE.
  3. AT A MINIMUM, THE MATERIAL SHALL MEET THE FOLLOWING REQUIREMENTS:
    - a. MATERIAL IS FREE OF BROKEN CONCRETE, BROKEN PAVEMENT, RUBBISH, CHUNKS OF CLAY, WOOD, ORGANIC MATERIAL OR OTHER DELETERIOUS MATERIAL.
    - b. MATERIAL DOES NOT CONTAIN ROCK OR STONES LARGER THAN THREE INCHES.
    - c. FINES REQUIREMENT-MATERIAL SHALL NOT HAVE A PI GREATER THAN 15, AND THE TOTAL SUM OF THE PERCENT PASSING THE NO. 200 SIEVE AND THE PI SHALL NOT EXCEED 45.
  4. ALL MANHOLE EXCAVATIONS SHALL BE BACKFILLED FROM TRENCH TO TRENCH WITH 100% AB COMPACTED TO 95% MAX. DRY DENSITY.

\* 200 SIEVE TO BE DETERMINED BY ASTM. D4318, DRY PREP, OR AASHTO T-90.

SIZE OF PIPE (I.D.)	MAXIMUM WIDTH AT TOP OF PIPE GREATER THAN O.D. OF BARREL	MINIMUM WIDTH AT SPRINGLINE EA. SIDE OF PIPE
LESS THAN 18"	20"	8"
18" TO 24"	23"	9.5"
27" TO 39"	28"	12"
42" TO 60"	34"	14"
OVER 60"	PER MAG STD. SECT. TABLE 601-1, FLEX PIPES	

	BACKFILL REQUIREMENTS					
	TRENCHING IN RIGHT OF WAY OUTSIDE ROADWAY PRISM OR IN UNPAVED ALLEY		TRENCHING IN EXISTING ROADWAY PRISM		TRENCHING IN PROPOSED ROADWAY PRISM	
	ALLOWABLE BACKFILL MATERIALS	COMPACTION REQUIREMENT	ALLOWABLE BACKFILL MATERIALS	COMPACTION REQUIREMENT	ALLOWABLE BACKFILL MATERIALS	COMPACTION REQUIREMENT
NATIVE MATERIAL WITHOUT FINES REQUIREMENT	X	95%				
NATIVE MATERIAL WITH FINES REQUIREMENT	X	95%			X	95%
AGGREGATE BASE	X	95%	X	*1 & *2	X	95%
NON SHRINK SLURRY	X	NA	X	NA	X	NA

**\*NOTES:**  
 1. 95% EXCEPT FOR THE TOP 2' SHALL BE 100%.  
 2. PAVEMENT REPLACEMENT TO BE T-TOP PER SIERRA VISTA DETAIL SV200-1-A.



CITY OF SIERRA VISTA  
 1011 North Coronado Drive  
 Sierra Vista, AZ 85635  
 520-458-5775

**CITY OF SIERRA VISTA  
 STORM DRAIN/SEWER/UTILITY  
 BACKFILL AND BEDDING DETAIL**

REVISED: 06/2021  
 SCALE: NTS  
 DETAIL NO: SV200-3

## AGGREGATE BASE COURSE

702.2.1 REPLACE TABLE 702-1 OF THE MAG STANDARD CONSTRUCTION SPECIFICATIONS WITH THE FOLLOWING:

REVISED TABLE 702-1			
Sieve Analysis Test Methods AASHTO T-27, T-11			
Sieve Size	Accumulative Percentage Passing Sieve, by Weight		
	Select Material		Aggregate Base Course
	Type A	Type B	
3 IN.	100	-	-
1-1/2 IN.	-	100	100
1 IN.	-	-	90-100
NO. 4	30-75	30-70	32-65
NO. 8	20-60	20-60	20-60
NO. 30	10-40	10-40	10-40
NO. 200	0-12	0-12	3-12
Plasticity Index Test Methods AASHTO T-89 Method A, T-90, T146 Method A			
MAXIMUM ALLOWABLE VALUE	5	5	5
Fractured Face, One Face Test Method ARIZ 212, Percent by Weight of the Material Retained on a #4 Sieve			
MINIMUM REQUIRED VALUE	50	50	50
Resistance to Degradation and Abrasion by the Los Angeles Abrasion Machine Test Method AASHTO T-96, Percent Loss by Weight			
MAXIMUM ALLOWABLE VALUE AT 100 REVOLUTIONS	10	10	10
MAXIMUM ALLOWABLE VALUE AT 500 REVOLUTIONS	45	45	45

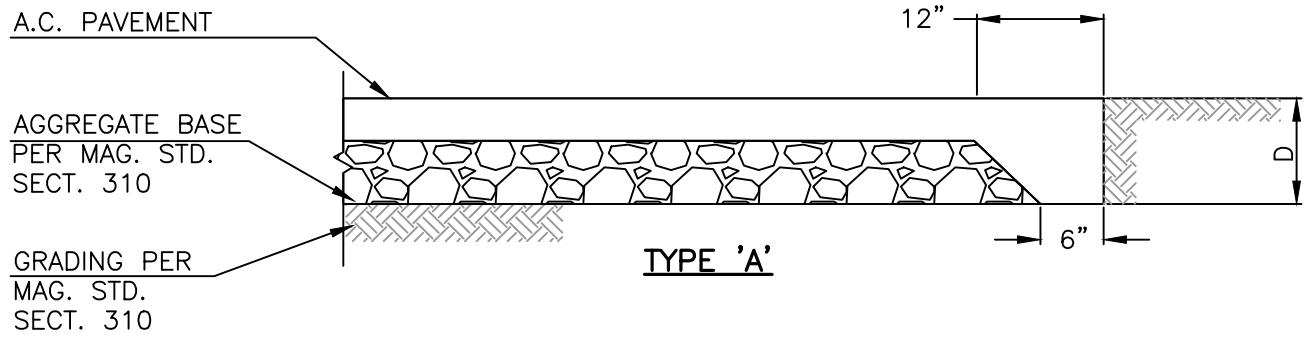


CITY OF SIERRA VISTA  
1011 North Coronado Drive  
Sierra Vista, AZ 85635  
520-458-5775

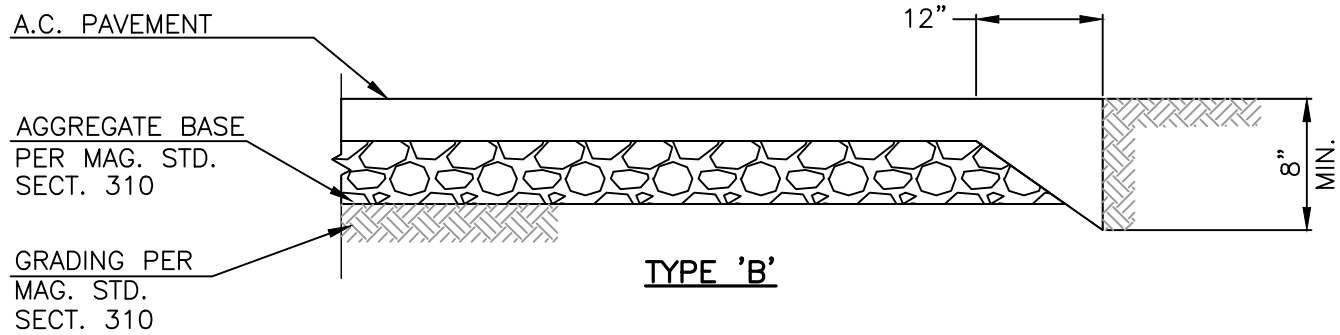
CITY OF SIERRA VISTA  
BACKFILL AND BEDDING TABLE

REVISED: 06/2021	SCALE: NTS
---------------------	---------------

DETAIL NO:  
**SV200-4**

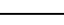


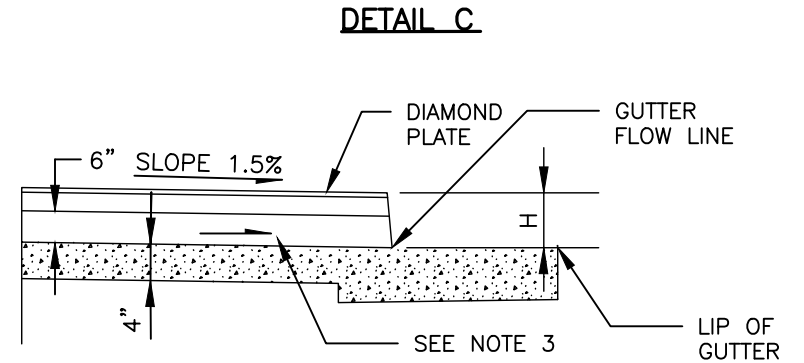
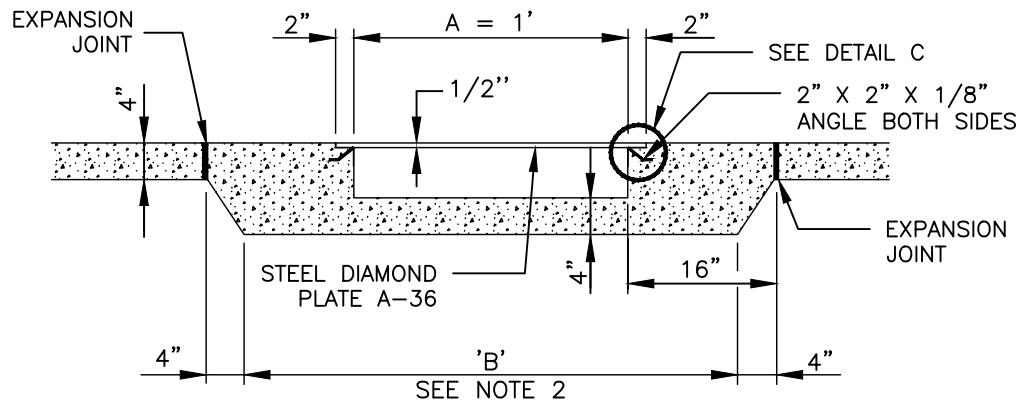
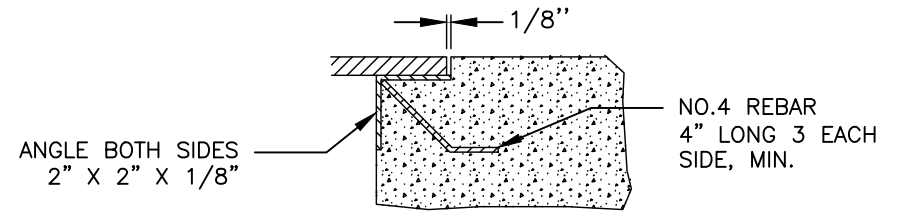
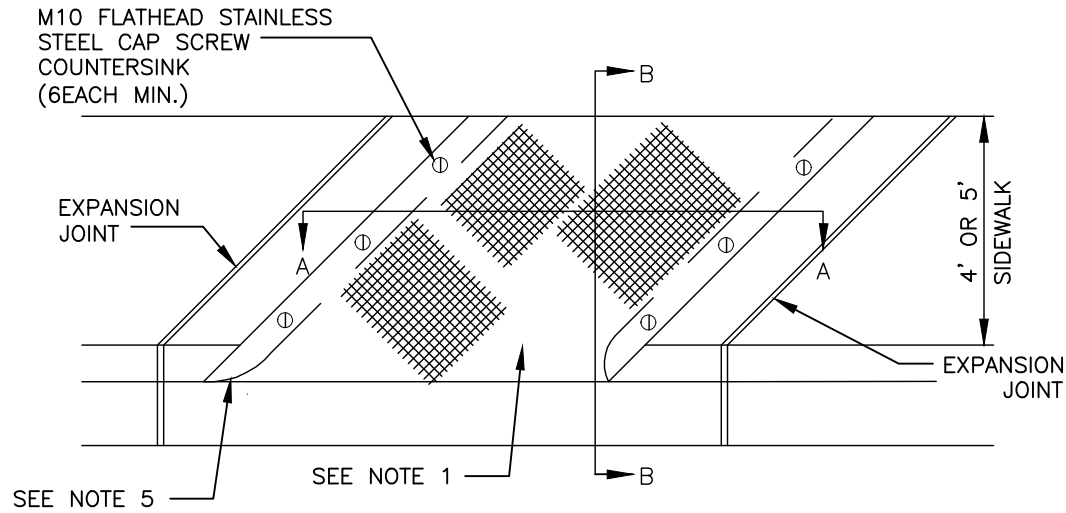
D = DESIGN  
THICKNESS OF A.C.  
PAVEMENT PLUS  
AGGREGATE BASE.



MODIFIED MAG DETAIL 201

**NOTES:**

1. ANGLE EQUALS 45° UNLESS SPECIFIED ON PLAN. ANGLE IN DIRECTION OF FLOW.
2. DIMENSION 'B' EQUALS 'A' + 2'.
3. (  ) INDICATES DIRECTION OF FLOW.
4. PAINT STEEL ACCORDING TO MAG STD. SECT. 790. PAINT NUMBER 1-A OR 1-B.
5. 'R' EQUALS 1" UNLESS OTHERWISE DIRECTED.
6. 'H' EQUALS 6".
7. FOR ROLL CURB AND GUTTER, USE 2' TRANSITIONS TO VERTICAL CURB.
8. ALL CONCRETE SHALL BE CLASS 'A' (3000 PSI) PER MAG STD. SECT. 725 AND INSTALLED PER MAG STD. SECT. 505.



**SECTION 'A-A'**

**SECTION 'B-B'**

MODIFIED MAG STD. DETAIL 203  
FORMER SIERRA VISTA DETAIL SV206-3

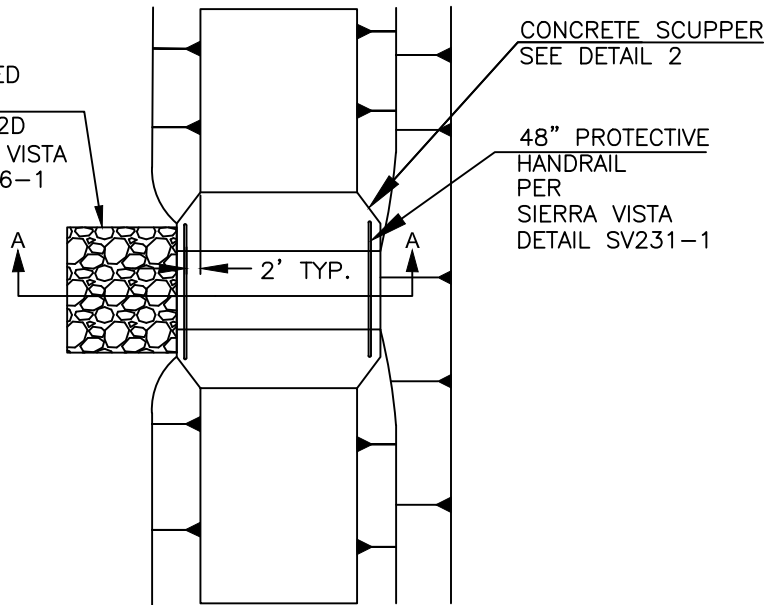


CITY OF SIERRA VISTA  
1011 North Coronado Drive  
Sierra Vista, AZ 85635  
520-458-5775

**CITY OF SIERRA VISTA  
SCUPPER DETAIL**

REVISED: 05/2022	SCALE: NTS
DETAIL NO: <b>SV203</b>	

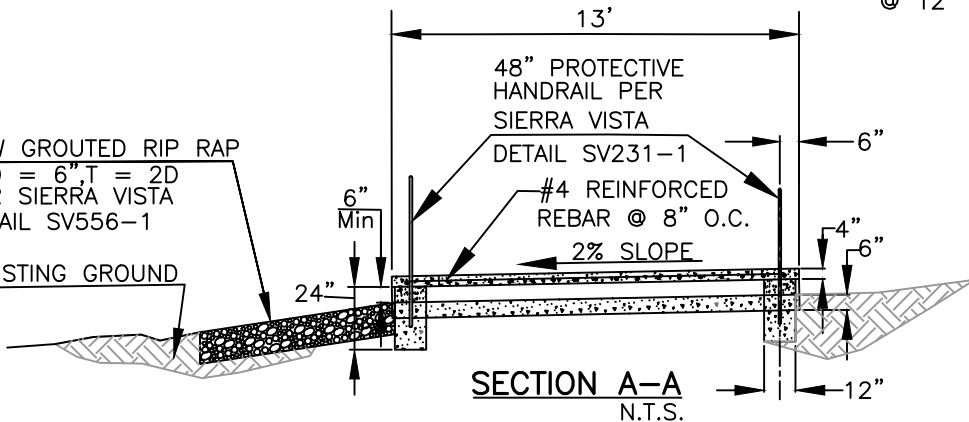
NEW GROUTED  
RIP RAP  
D50=6", T=2D  
PER SIERRA VISTA  
DETAIL SV556-1



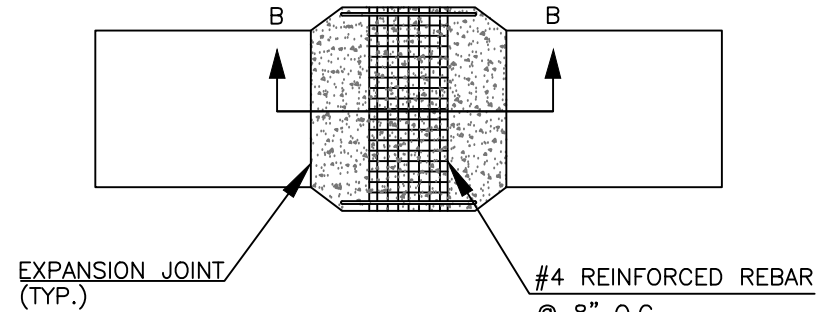
**DETAIL 1**  
N.T.S.

NEW GROUTED RIP RAP  
D50 = 6", T = 2D  
PER SIERRA VISTA  
DETAIL SV556-1

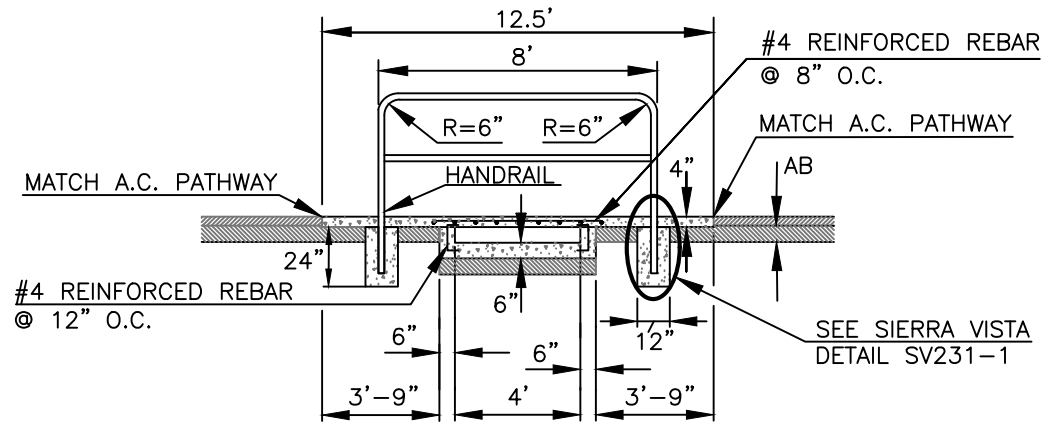
EXISTING GROUND



**SECTION A-A**  
N.T.S.



**DETAIL 2**  
N.T.S.



**SECTION B-B**  
N.T.S.

FORMER SIERRA VISTA DETAIL SV206-2



CITY OF SIERRA VISTA  
1011 North Coronado Drive  
Sierra Vista, AZ 85635  
520-458-5775

CITY OF SIERRA VISTA  
SHARED-USE PATH CONCRETE SCUPPER DETAIL

REVISED: 06/2021 SCALE: NTS

DETAIL NO:  
**SV206-4**

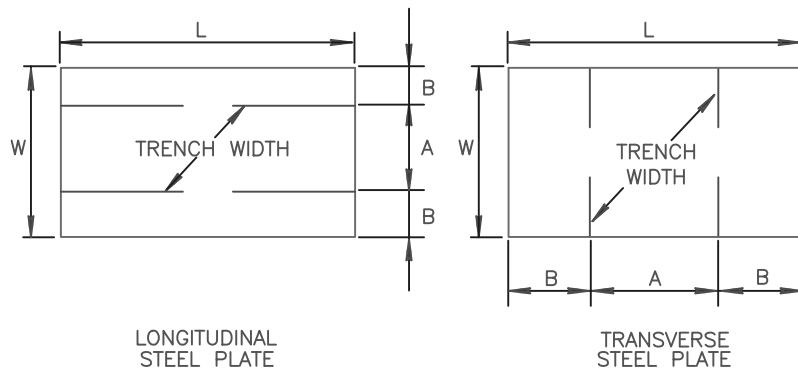
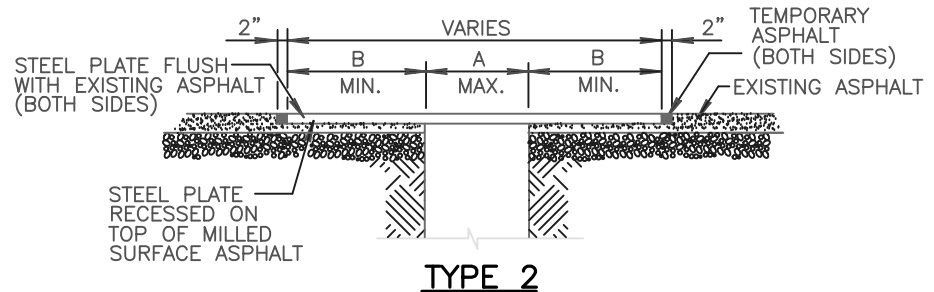
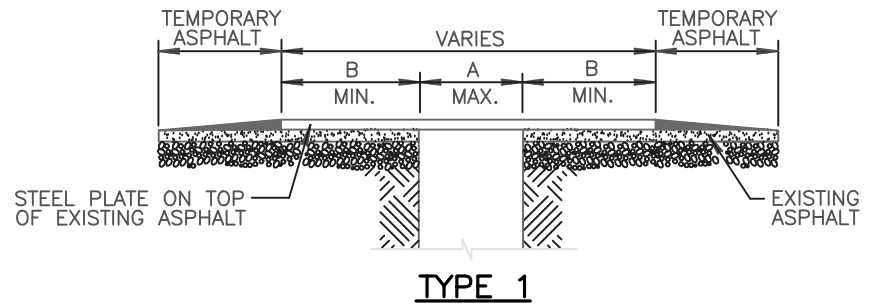


PLATE SIZE						
LONGITUDINAL		THICKNESS	(W)	(L)	TRANSVERSE	
(A)	(B)				(A)	(B)
12"	18"	1"	4'	8'	58"	19"
12"	18"	1"	4'	10'	58"	31"
24"	18"	1"	5'	10'	70"	25"
36"	18"	1"	6'	10'	44"	38"
48"	18"	1"	7'	10'	52"	34"
60"	18"	1"	8'	10'	58"	31"
12"	18"	1-1/4"	4'	15'	88"	47"
24"	18"	1-1/4"	5'	12'	104"	20"
36"	18"	1-1/4"	6'	12'	66"	39"
36"	18"	1-1/4"	6'	16'	66"	63"
48"	18"	1-1/4"	7'	12'	76"	33"
48"	18"	1-1/4"	7'	16'	76"	58"
60"	18"	1-1/4"	8'	12'	86"	29"
60"	18"	1-1/4"	8'	15'	86"	47"
60"	18"	1-1/4"	8'	16'	86"	63"
60"	18"	1-1/4"	8'	20'	86"	77"
60"	18"	1-3/8"	8'	20'	102"	69"

**NOTES:**

1. USE TYPE 1 PLATE INSTALLATION WHERE POSTED SPEED LIMIT IS LESS THAN 30 MPH. USE TYPE 2 PLATE INSTALLATION WHERE POSTED SPEED LIMIT IS 30 MPH OR GREATER.
2. FOR TYPE 2 PLATE INSTALLATION, THE STEEL PLATE SHALL BE RECESSED BY MILLING INTO THE EXISTING ASPHALT TO SET FLUSH WITH THE SURFACE OF THE EXISTING ASPHALT. FULL DEPTH CUTTING OF PAVEMENT SECTION OUTSIDE OF TRENCH IS NOT PERMITTED. MILLING DEPTH SHALL MATCH THICKNESS OF PLATE. THE GAP BETWEEN THE EDGE OF THE PLATE AND THE ADJACENT EXISTING ASPHALT PAVEMENT MUST BE FILLED WITH TEMPORARY ASPHALT.
3. TRENCH WIDTHS ARE BASED ON AN ANALYSIS PER THE 14TH EDITION OF STANDARD SPECIFICATIONS FOR HIGHWAY BRIDGES BY AASHTO. AN ASSUMED AXLE LOADING OF 12 TONS WITH A 30% IMPACT FACTOR WAS USED. THE AXLE LENGTH IS 6 FEET; THEREFORE THE NUMBER OF WHEELS CARRIED BY A PLATE DEPENDS ON THE ROADWAY WIDTH.
4. STEEL PLATE MUST BE ABLE TO WITHSTAND H-20 TRAFFIC LOADINGS WITHOUT ANY MOVEMENT.
5. PLATES SHALL BE FABRICATED FROM ASTM A36 STEEL (MIN).
6. PLATES SHALL BE SECURED FROM LATERAL MOVEMENT AND VERTICAL VIBRATION (ASSOCIATED NOISE) WHILE IN USE BY TEMPORARY ASPHALT (COLD MIX.)



MODIFIED MAG DETAIL 211



CITY OF SIERRA VISTA  
1011 North Coronado Drive  
Sierra Vista, AZ 85635  
520-458-5775

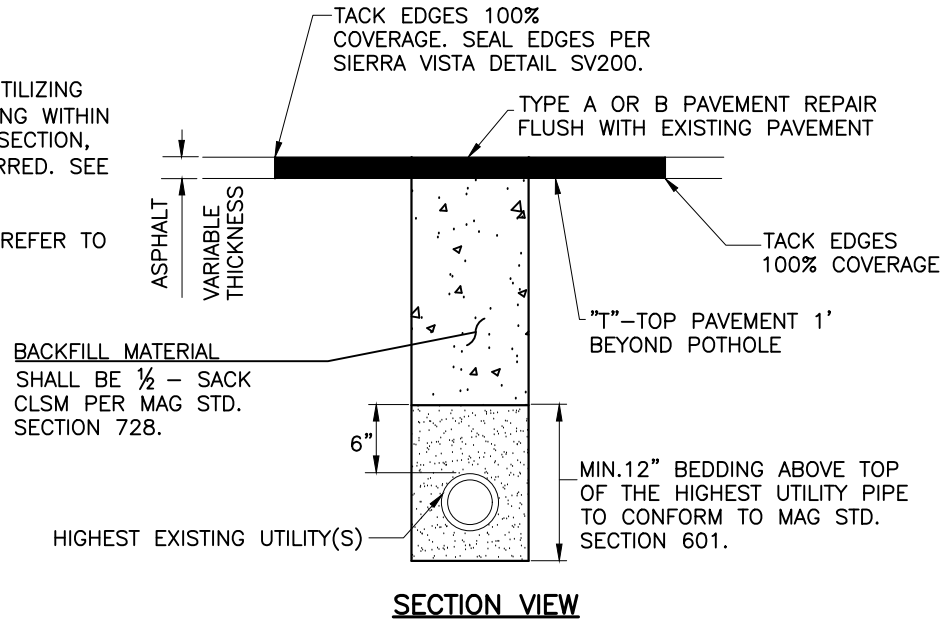
CITY OF SIERRA VISTA  
STANDARD TRENCH PLATING DETAIL

REVISED: 01/2021    SCALE: NTS

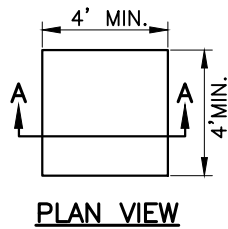
DETAIL NO:  
**SV211**

**NOTES:**

1. THIS DETAIL TO BE USED WHEN UTILIZING 18"-24" POT HOLE. WHEN POT H O L I N G WITH I N AN EXISTING ARTERIAL PAVEMENT SECTION, 18" OR 24" KEYHOLING IS PREFERRED. SEE TYPE B PAVEMENT REPAIR.
2. POT HOLES EXCEEDING 24" SHALL REFER TO SIERRA VISTA DETAIL SV200-1-A.

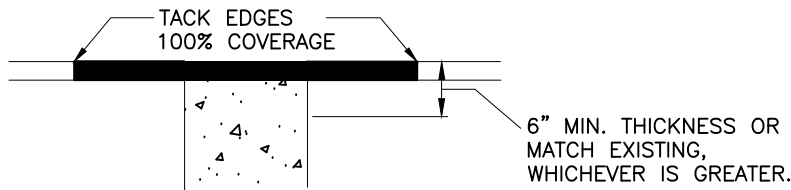


**TYPE A PAVEMENT REPAIR**



**NOTES:**

1. DIMENSIONS ARE NOMINAL.
2. EDGES SHALL BE SAWCUT TO A NEAT VERTICAL FACE.
3. PLACE CLSM BACKFILL IN ACCORDANCE WITH MAG STD. SECT. 604.
4. PLACE AGENCY-APPROVED ASPHALT CONCRETE IN MAXIMUM 2" LIFTS.

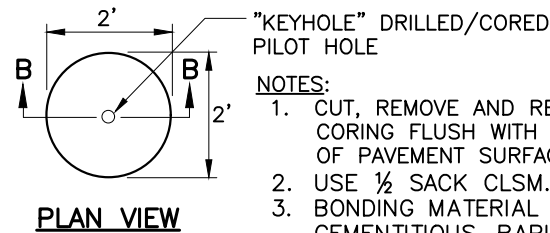


**SECTION A-A**

**NOTES:**

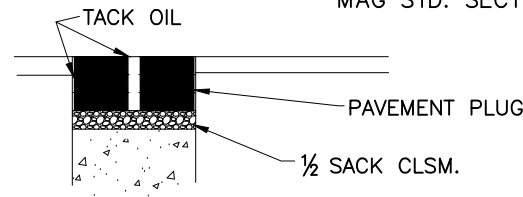
1. ALL PATCHES TO BE SEALED AS PER SIERRA VISTA DETAIL SV200.

**TYPE B PAVEMENT REPAIR**



**NOTES:**

1. CUT, REMOVE AND REPLACE PAVEMENT PLUG OR CORING FLUSH WITH AND IN THE ORIGINAL ORIENTATION OF PAVEMENT SURFACE.
2. USE 1/2 SACK CLSM.
3. BONDING MATERIAL SHALL BE A SINGLE COMPONENT CEMENTITIOUS, RAPID HARDENING, HIGH STRENGTH, WATER PROOF BONDING AGENT.
2. PAVEMENT PLUG SHALL BE ASPHALTIC CONCRETE (HOT MIX) OR CLASS 'A' CONCRETE (3000 PSI) PER MAG STD. SECT. 725, COLORED BLACK.



**SECTION B-B**

MODIFIED MAG DETAIL 212

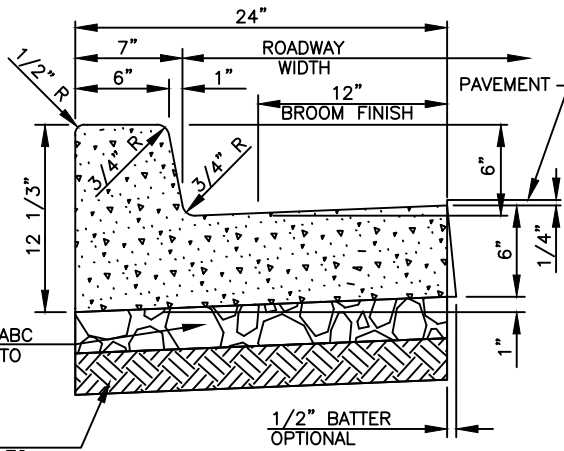


CITY OF SIERRA VISTA  
1011 North Coronado Drive  
Sierra Vista, AZ 85635  
520-458-5775

CITY OF SIERRA VISTA  
18"-24" UTILITY POT HOLE REPAIR DETAIL

REVISED: 11/2022 SCALE: NTS

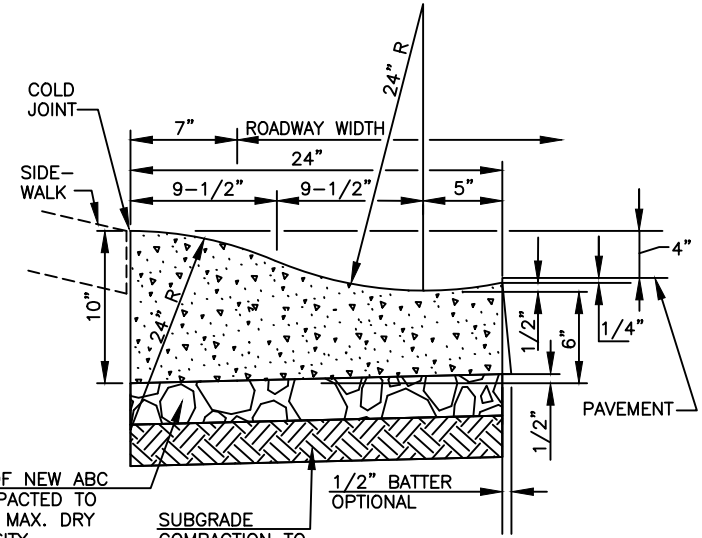
DETAIL NO: SV212



**VERTICAL CURB AND GUTTER  
(TYPE A)**

**NOTES: (TYPE A)**

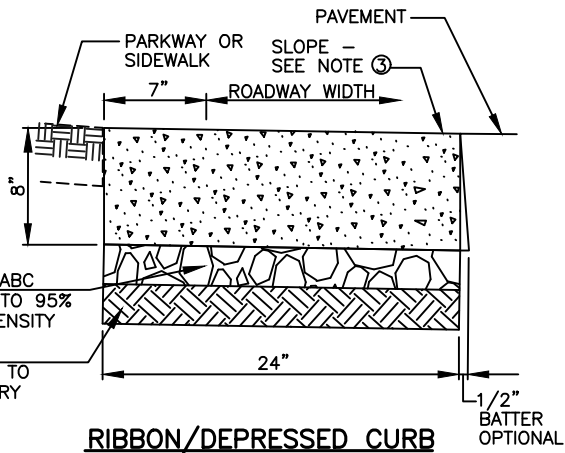
1. ALL EXPOSED SURFACES TO BE TROWEL FINISHED EXCEPT AS SHOWN. SEE MAG STD. SECT. 340.
2. CONTRACTION JOINT SPACING 10' MAXIMUM.
3. EXPANSION JOINTS AS PER MAG STD. SECT. 340.
4. CLASS 'A' (3000 PSI) CONCRETE PER MAG STD. SECT. 725.
5. WHEN THE ADJACENT PAVEMENT SECTION SLOPES AWAY FROM THE GUTTER, THE SLOPE OF THE GUTTER PAN SHALL MATCH PAVEMENT CROSS SLOPE.



**ROLLED CURB AND GUTTER  
(TYPE C)**

**NOTES: (TYPE B)**

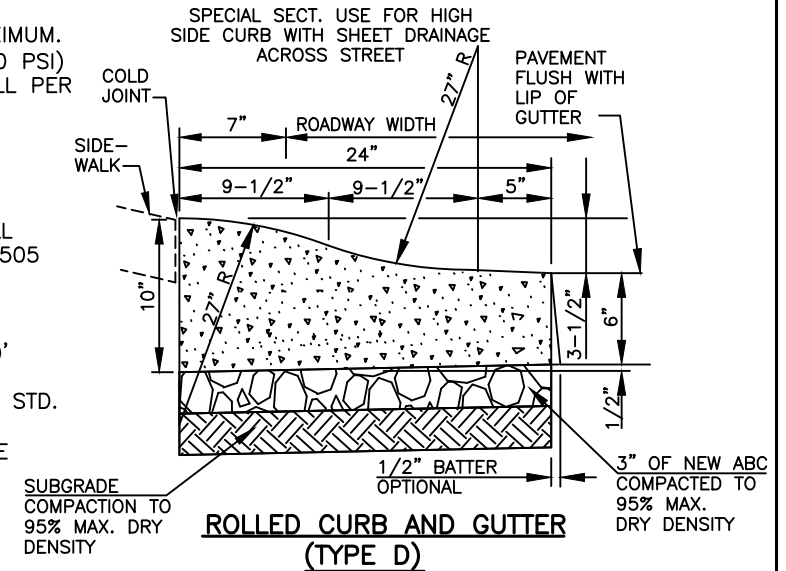
1. CONSTRUCT CURB AND INSTALL 1/2" MASTIC EXPANSION JOINTS, PER A.S.T.M. D-1751. AND MAG STD. SECT. 340.
2. BROOM FINISH ALL SURFACES.
3. RIBBON/DEPRESSED CURB MAY SLOPE TOWARDS PAVEMENT OR PARKWAY AS INDICATED ON PLANS.
4. CONTRACTION JOINT SPACING 10' MAXIMUM.
5. CONCRETE SHALL BE CLASS 'A' (3000 PSI) PER MAG STD. SECT. 725 AND INSTALL PER MAG STD. SECT. 505.



**RIBBON/DEPRESSED CURB  
(TYPE B)**

**NOTES: (TYPE C & D)**

1. ALL WORK AND MATERIALS SHALL CONFORM TO MAG. SECT. 340, 505 AND 725.
2. BROOM FINISH TO EXPOSED SURFACE.
3. CONTRACTION JOINT SPACING 10' MAXIMUM.
4. EXPANSION JOINTS AS PER MAG STD. SECT. 340.
5. CLASS 'A' (3000 PSI) CONCRETE PER MAG STD. SECT. 725.



**ROLLED CURB AND GUTTER  
(TYPE D)**

MODIFIED MAG DETAIL 220-1



CITY OF SIERRA VISTA  
1011 North Coronado Drive  
Sierra Vista, AZ 85635  
520-458-5775

CITY OF SIERRA VISTA  
CURB AND GUTTER TYPES A, B, C, AND D DETAIL

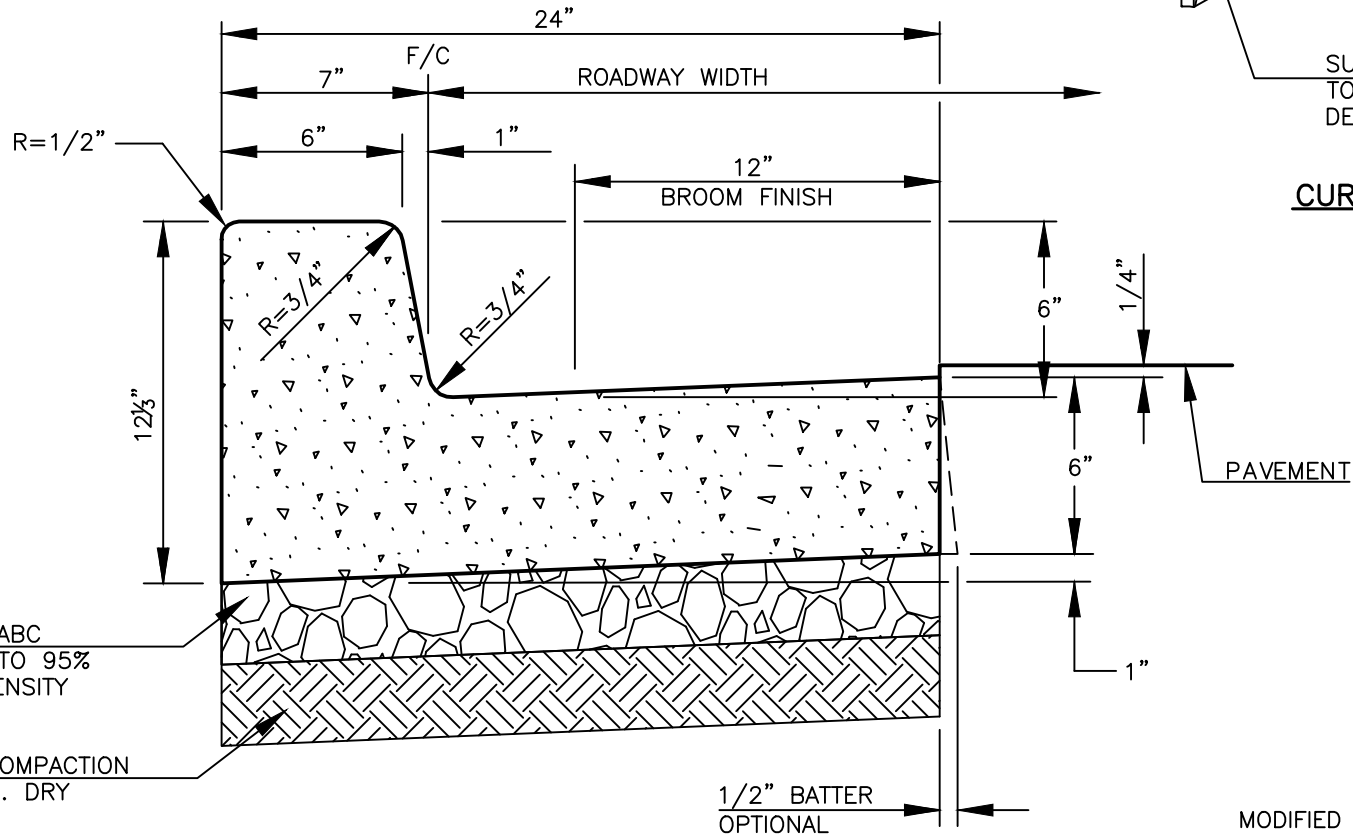
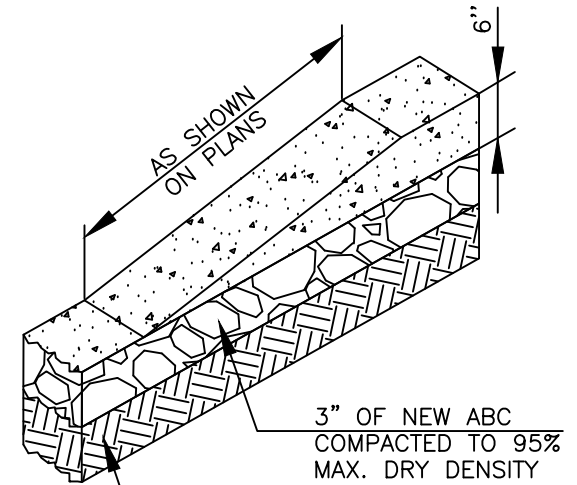
REVISED: 07/2023 SCALE: NTS

DETAIL NO:  
SV220-1



**NOTES:**

1. ALL EXPOSED SURFACES TO BE TROWEL FINISHED EXCEPT AS SHOWN. SEE MAG STD. SECT. 340.
2. CONTRACTION JOINT SPACING 10' MAXIMUM.
3. EXPANSION JOINTS AS PER MAG STD. SECT. 340.
4. CLASS 'A' (3000 PSI) CONCRETE PER MAG STD. SECT. 725.
5. WHEN THE ADJACENT PAVEMENT SECTION SLOPES AWAY FROM THE GUTTER, THE SLOPE OF THE GUTTER PAN SHALL MATCH PAVEMENT CROSS SLOPE.



**CURB TRANSITION**  
N.T.S.

MODIFIED MAG DETAIL 220-1 (TYPE 'A')



CITY OF SIERRA VISTA  
1011 North Coronado Drive  
Sierra Vista, AZ 85635  
520-458-5775

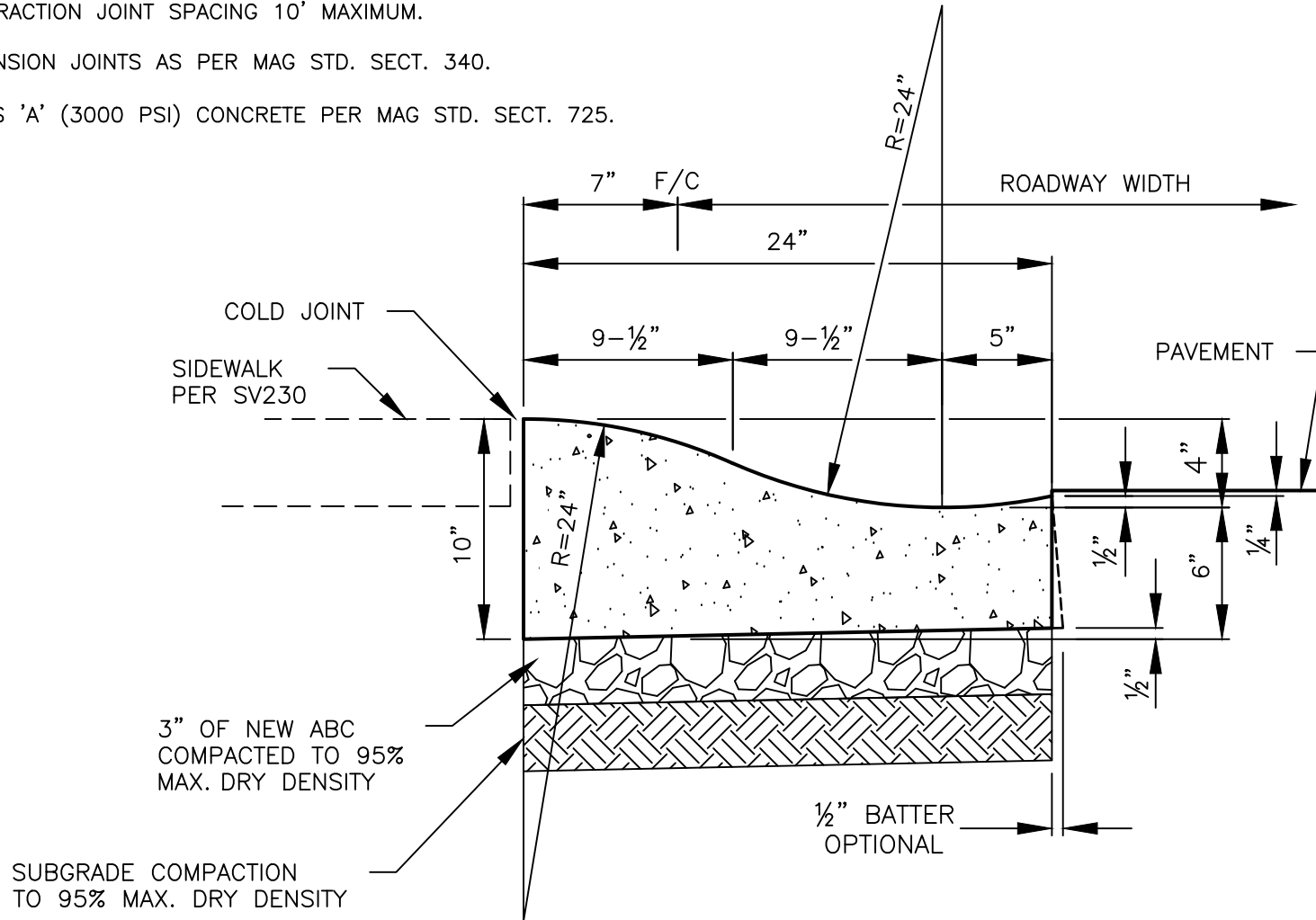
CITY OF SIERRA VISTA  
VERTICAL CURB AND GUTTER DETAIL  
TYPE 'A'

REVISED: 07/2023 SCALE: NTS

DETAIL NO:  
SV220-1-A

NOTES:

1. ALL WORK AND MATERIALS SHALL CONFORM TO MAG STD. SECT. 340, 505 AND 725.
2. BROOM FINISH TO EXPOSED SURFACE.
3. CONTRACTION JOINT SPACING 10' MAXIMUM.
4. EXPANSION JOINTS AS PER MAG STD. SECT. 340.
5. CLASS 'A' (3000 PSI) CONCRETE PER MAG STD. SECT. 725.



MODIFIED MAG DETAIL 220-1 (TYPE 'C')

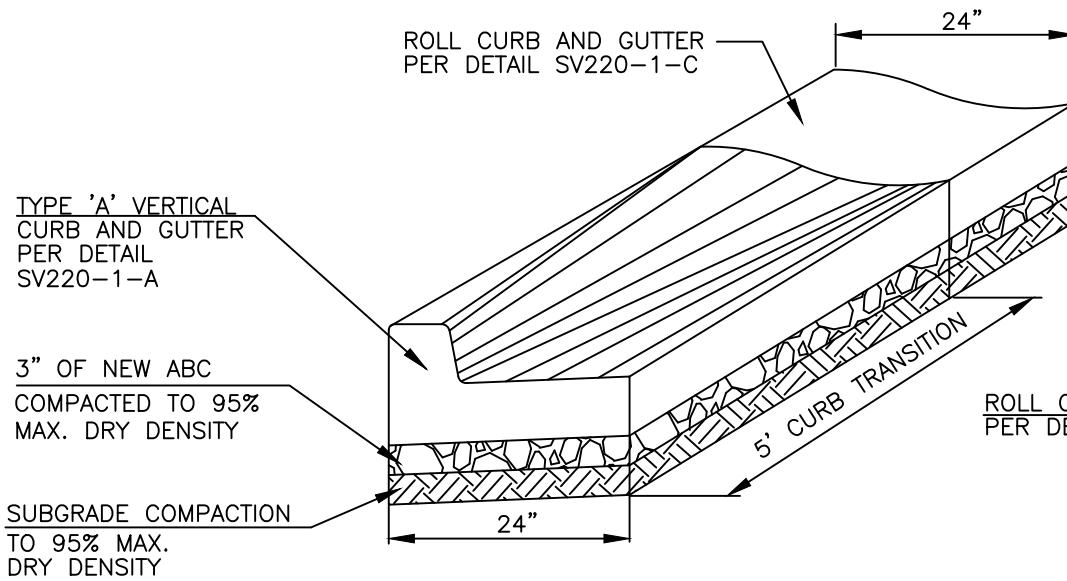


CITY OF SIERRA VISTA  
 1011 North Coronado Drive  
 Sierra Vista, AZ 85635  
 520-458-5775

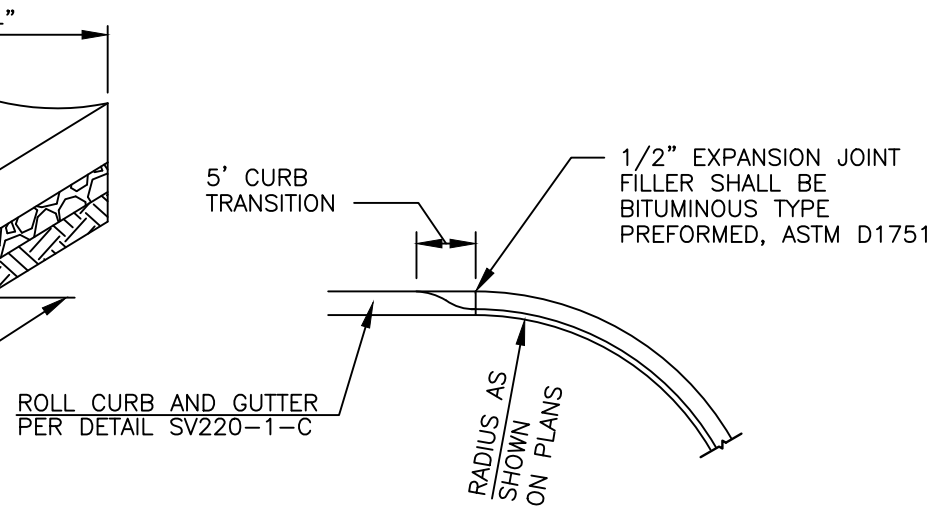
CITY OF SIERRA VISTA  
 ROLLED CURB AND GUTTER DETAIL  
 TYPE 'C'

REVISED: 07/2023	SCALE: NTS
DETAIL NO: SV220-1-C	

## CURB TRANSITION TO ROLL CURB



## CURB AND GUTTER TRANSITION



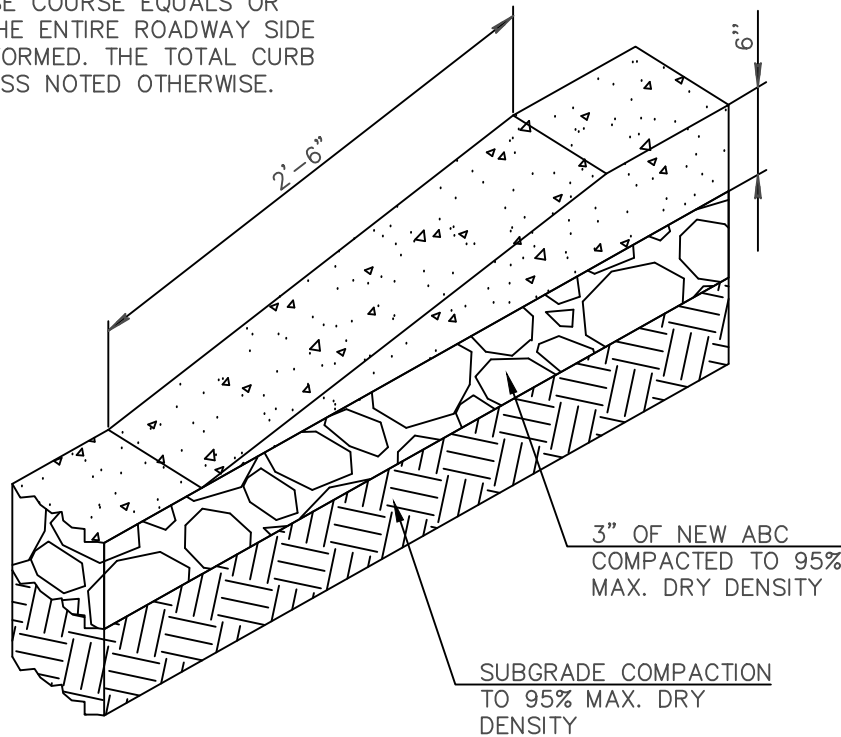
### NOTES: (CURB AND GUTTER TRANSITIONS)

1. TRANSITIONS WILL BE PAID FOR AS THE PREDOMINANT TYPE OF CURB AND GUTTER BEING TRANSITIONED. WHEN TYPE 'A' CURB AND GUTTER ARE USED AT CURB RETURNS AND TYPE 'C' CURB AND GUTTER IS PREDOMINANTLY USED ELSEWHERE, THE TYPE 'A' TO TYPE 'C' TRANSITION SHALL BE MEASURED AND PAID FOR AS TYPE 'C' CURB AND GUTTER.
2. WHERE PROPOSED CONSTRUCTION IS TO BE CONNECTED TO EXISTING CURB AND GUTTER, THE TRANSITION SHALL BE INDICATED ON PLANS.
3. CLASS 'A' (3000 PSI) CONCRETE PER MAG STD. SECT. 725.
4. TRANSITION BETWEEN TYPICAL SECTIONS SHALL BE ACCOMPLISHED BY THE USE OF DIRECT STRAIGHT LINE TRANSITIONS OF THE FLOW LINE AND OTHER SURFACE FEATURES.

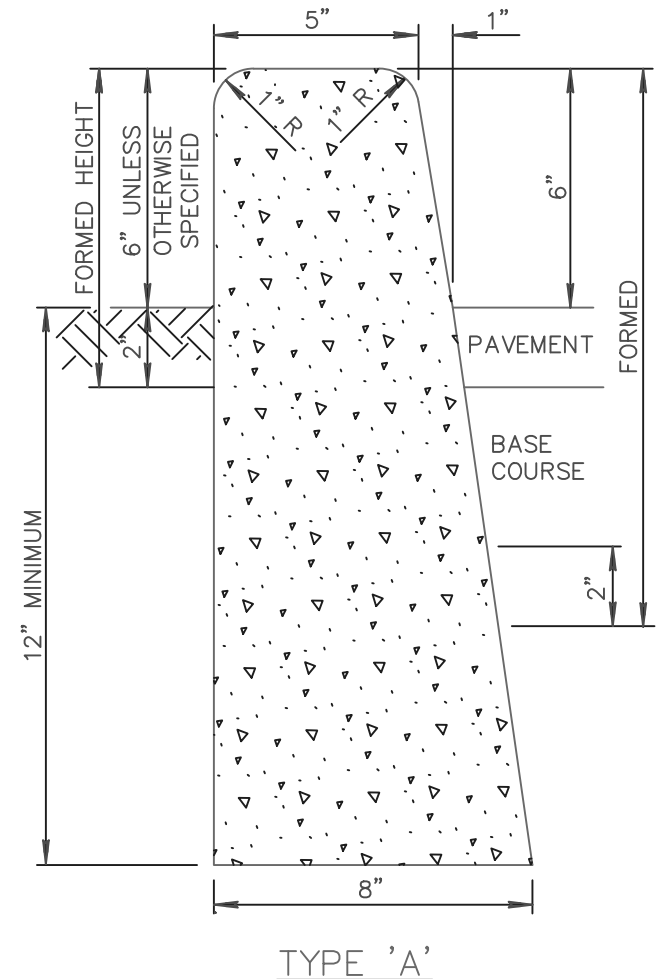
MODIFIED MAG DETAIL 221

NOTES:

1. ALL VERTICAL SURFACES TO BE FORMED.
2. VERTICAL SURFACES DOWN FROM 2" BELOW UNDISTURBED SOIL MAY BE PLACED AGAINST NEAT CUT IF APPROVED BY THE ENGINEER AND CONCRETE WILL NOT EXTEND MORE THAN 1" BEYOND THEORETICAL FACE.
3. ALL EXPOSED SURFACES TO BE STRIPPED GREEN AND TROWEL FINISHED.
4. CONCRETE CURBS CONFORM TO MAG STD SECT. 340.
5. MAXIMUM SPACING OF CONTRACTION JOINTS IS 10'.
6. CONCRETE TO BE CLASS 'A' PER SECT. 725.
7. WHEN PAVEMENT AND BASE COURSE EQUALS OR EXCEEDS 10" IN DEPTH, THE ENTIRE ROADWAY SIDE OF THE CURB SHALL BE FORMED. THE TOTAL CURB HEIGHT REMAINS 18" UNLESS NOTED OTHERWISE.



CURB TRANSITION  
N.T.S.



MODIFIED MAG DETAIL 222



CITY OF SIERRA VISTA  
1011 North Coronado Drive  
Sierra Vista, AZ 85635  
520-458-5775

CITY OF SIERRA VISTA  
SINGLE CURB - TYPE 'A' AND TERMINATION

REVISED:  
12/2022

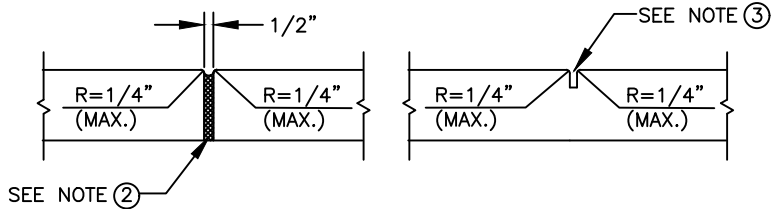
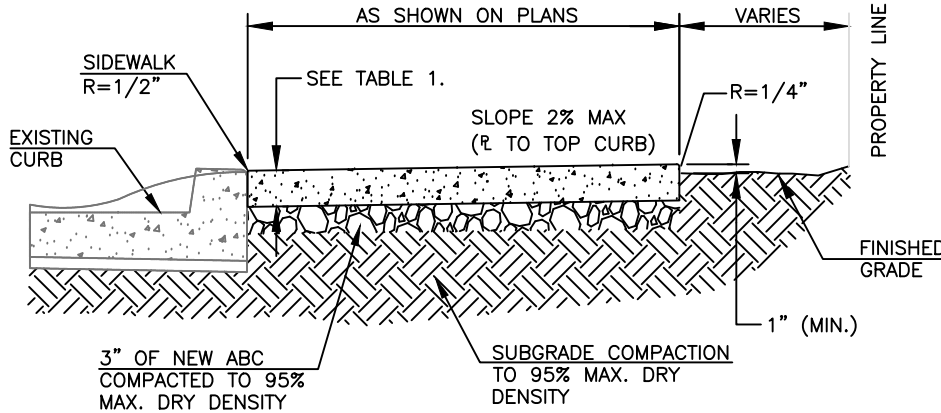
SCALE:  
NTS

DETAIL NO:  
SV222

**NOTES:**

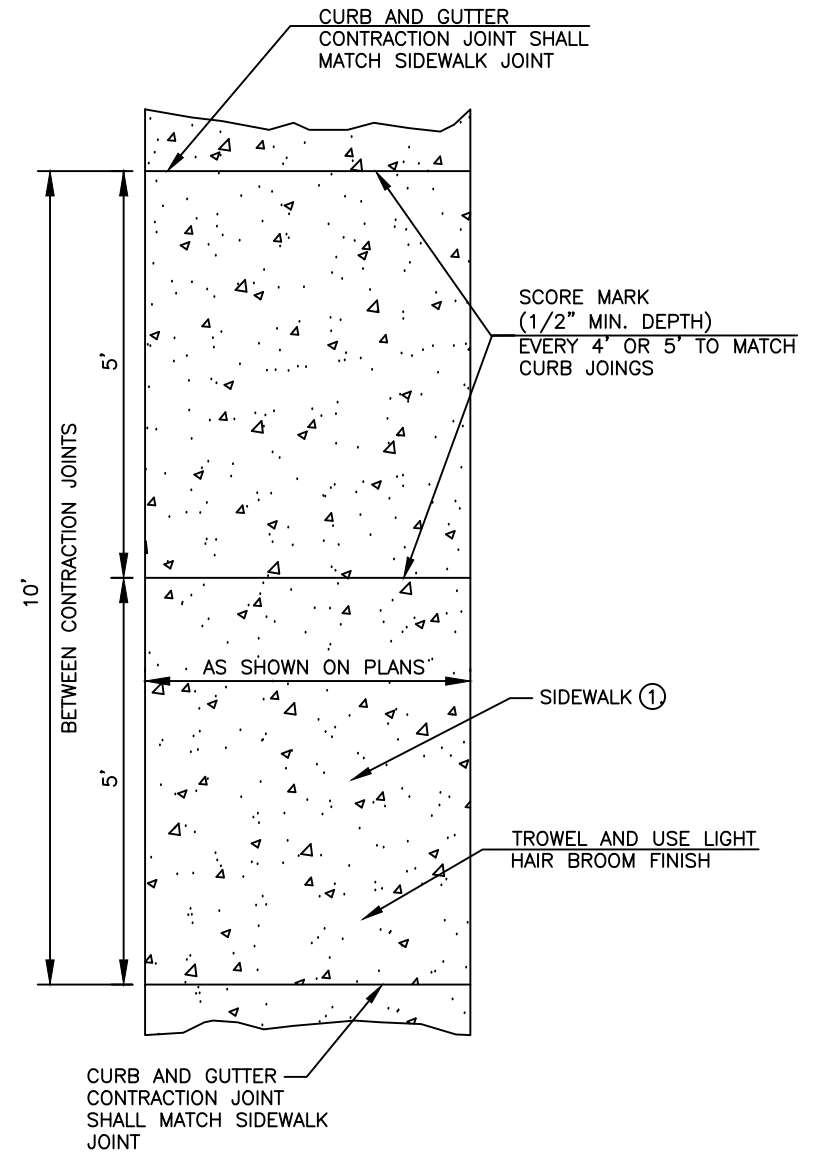
- ① SIDEWALK CONSTRUCTION SHALL CONFORM TO MAG STD. SECT. 340.
- ② EXPANSION JOINT FILLER SHALL BE 1/2" BITUMINOUS TYPE PREFORMED EXPANSION JOINT FILLER, PER MAG STD. SECT. 729.
- ③ LARGE AGGREGATE, IN CONTRACTION JOINT, SHALL BE SEPARATED TO A DEPTH OF 1", FINISH DEPTH SHALL BE A MINIMUM OF 3/4".
4. EXPANSION JOINT 50' MAXIMUM SPACING PER MAG STD. SECT. 340.
5. CLASS 'A' (3000 PSI) CONCRETE CONSTRUCTION AS PER MAG STD. SECT. 725.

TABLE 1.	CONCRETE THICKNESS
RESIDENTIAL DRIVEWAY	5"
STANDARD SIDEWALK	4"



**EXPANSION JOINT**

**CONTRACTION JOINT**

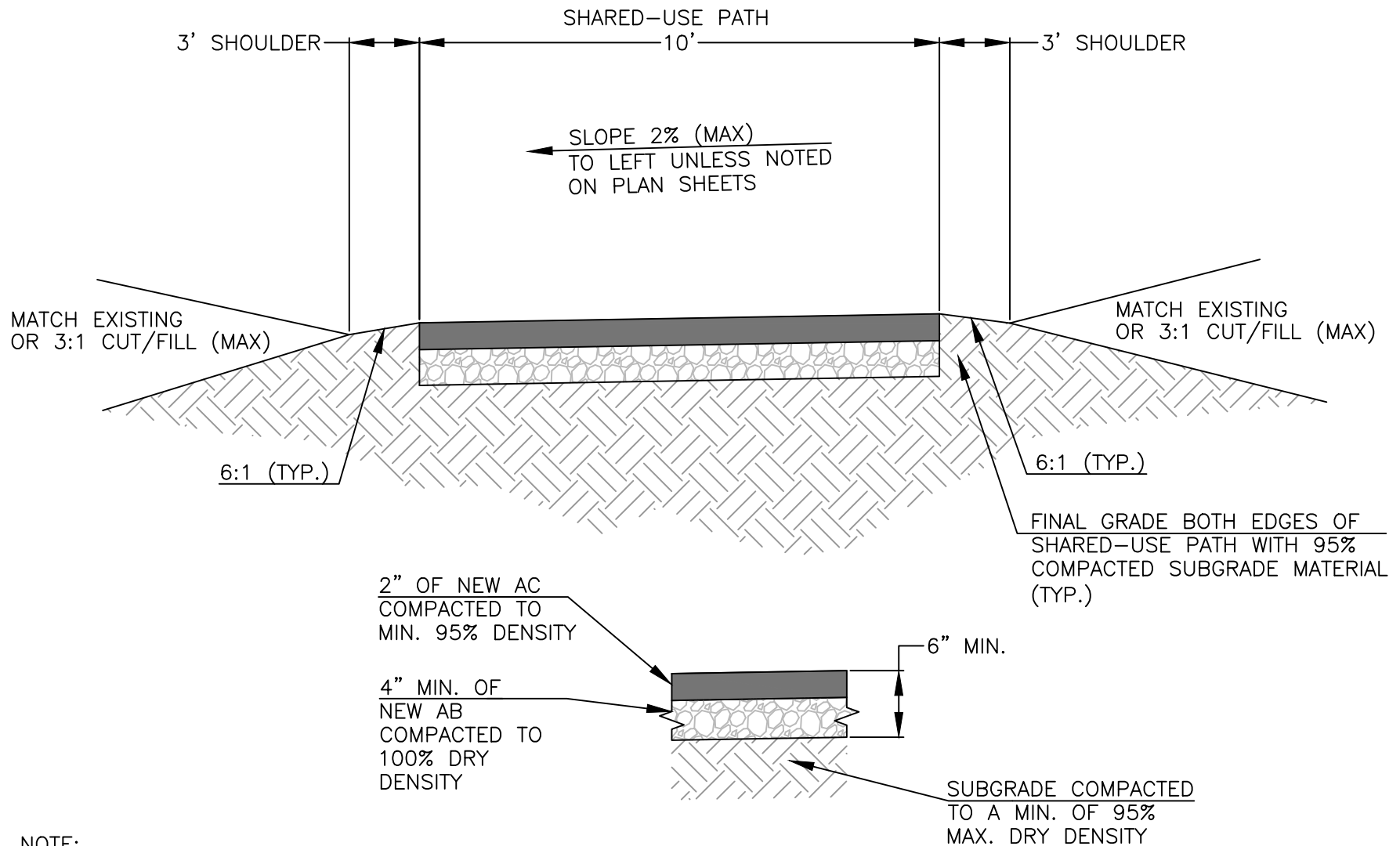


CITY OF SIERRA VISTA  
 1011 North Coronado Drive  
 Sierra Vista, AZ 85635  
 520-458-5775

**CITY OF SIERRA VISTA  
 SIDEWALK DETAIL**

REVISED: 06/2021 SCALE: NTS

DETAIL NO:  
**SV230**



**NOTE:**  
MAXIMUM LONGITUDINAL SLOPE SHALL  
NOT EXCEED A 20:1 RATIO.



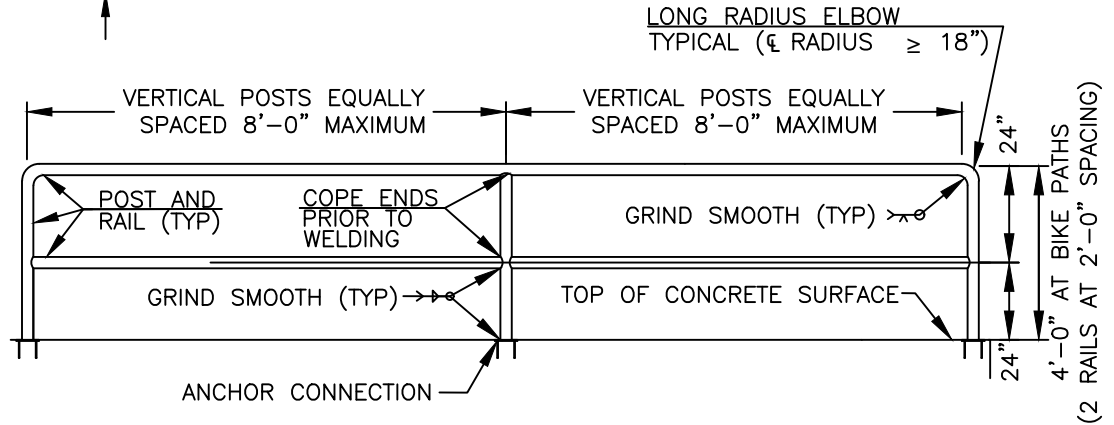
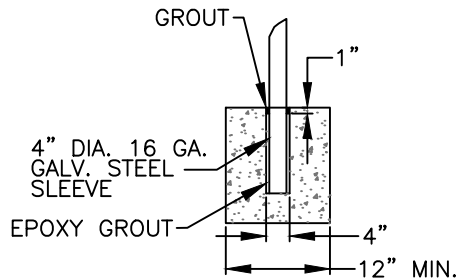
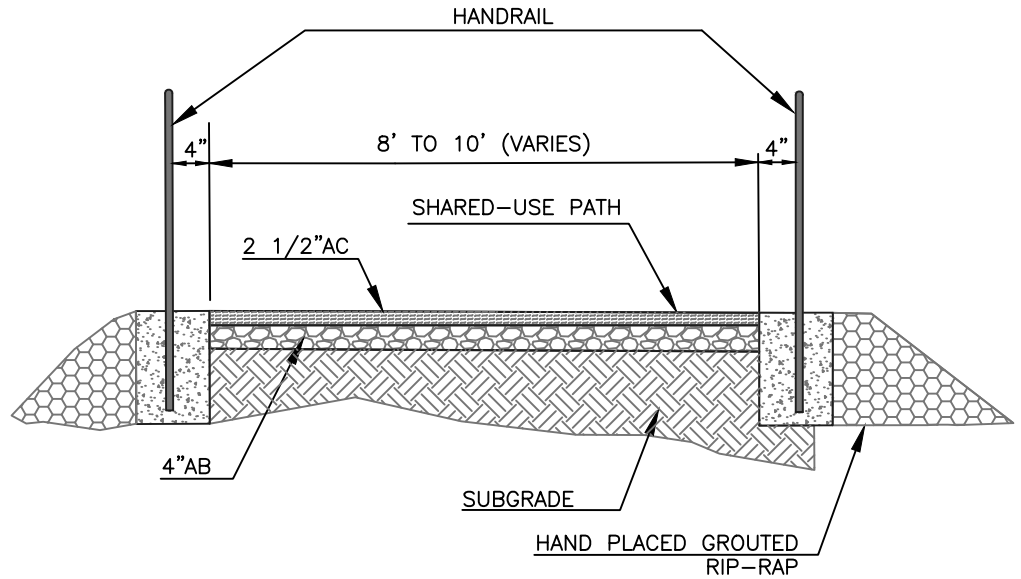
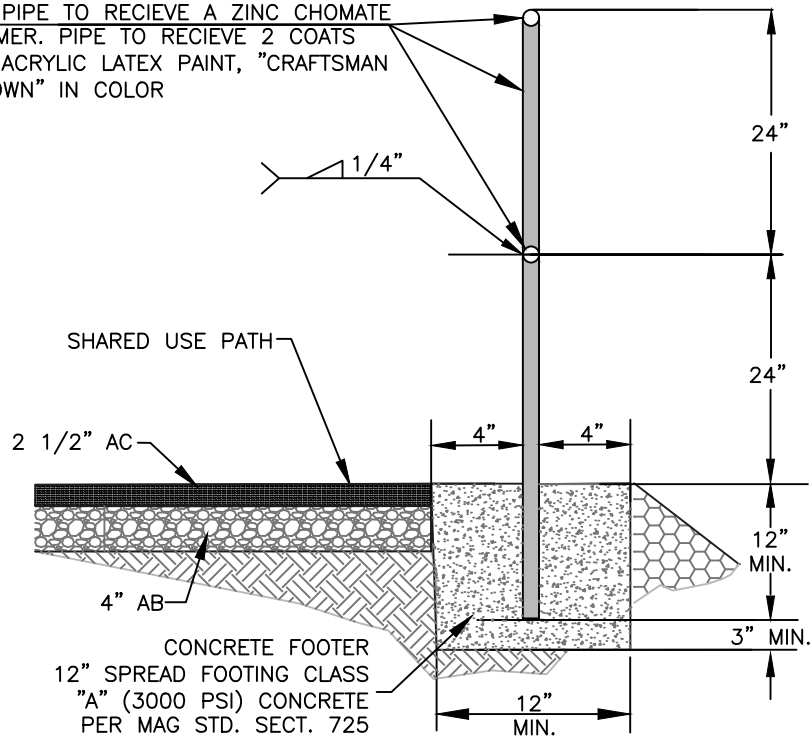
CITY OF SIERRA VISTA  
1011 North Coronado Drive  
Sierra Vista, AZ 85635  
520-458-5775

CITY OF SIERRA VISTA  
SHARED-USE PATH DETAIL

REVISED: 09/2023  
SCALE: NTS

DETAIL NO:  
SV231

2" I.D. GALVANIZED STEEL SCHEDULE 40 PIPE TO RECEIVE A ZINC CHROMATE PRIMER. PIPE TO RECEIVE 2 COATS OF ACRYLIC LATEX PAINT, "CRAFTSMAN BROWN" IN COLOR



**NOTES:**

- HANDRAIL FOOTING LOCATIONS TO BE VERIFIED BY CONTRACTOR BEFORE FABRICATING HANDRAIL.



CITY OF SIERRA VISTA  
1011 North Coronado Drive  
Sierra Vista, AZ 85635  
520-458-5775

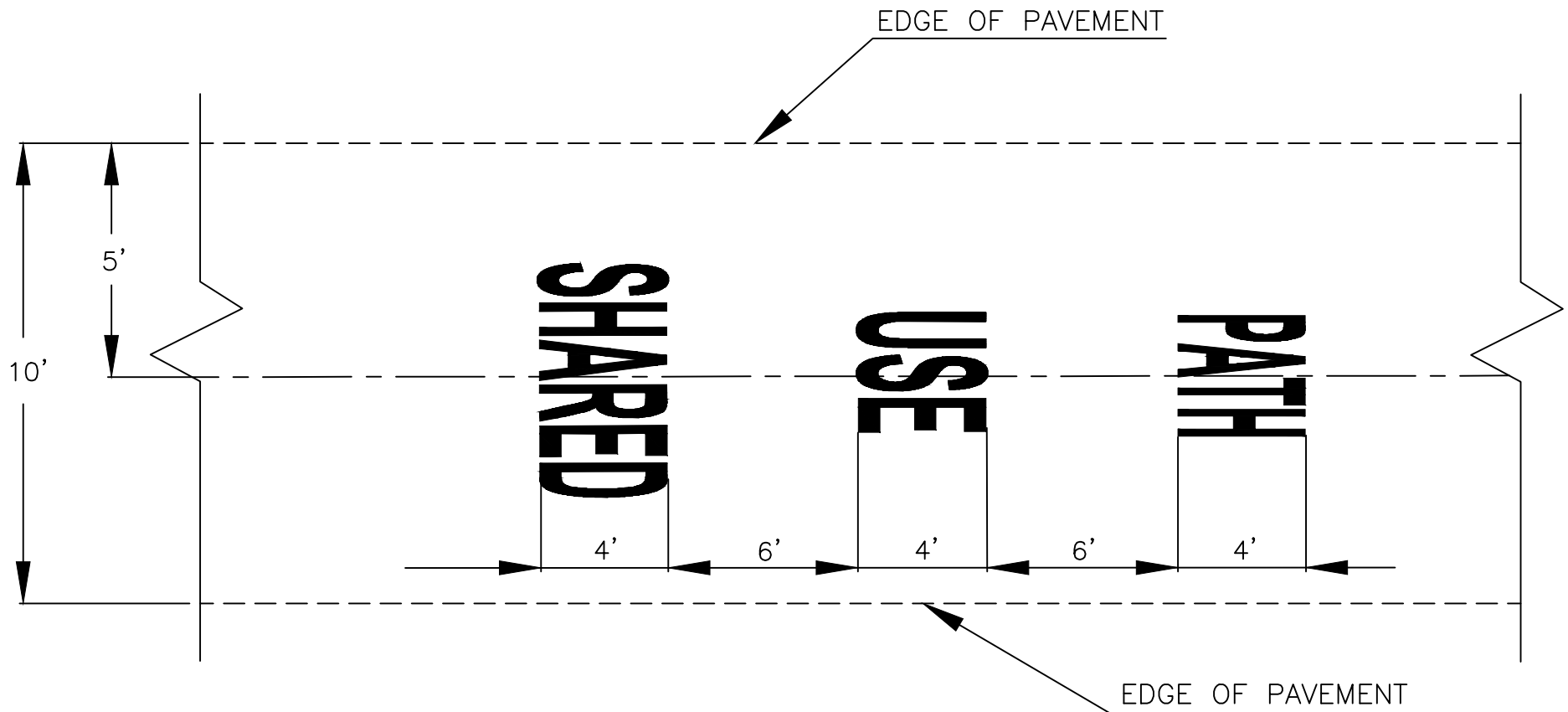
CITY OF SIERRA VISTA  
SHARED-USE PATH HANDRAIL AND FOOTER DETAIL

REVISED: 06/2021  
SCALE: NTS

DETAIL NO:  
SV231-1

NOTES:

1. PAVEMENT MARKINGS AND SYMBOLS MAY BE WHITE STENCIL OR PREFORMED THERMOPLASTIC.
2. CENTER PAVEMENT SYMBOLS AND MARKINGS BETWEEN THE EDGE OF PAVEMENT.

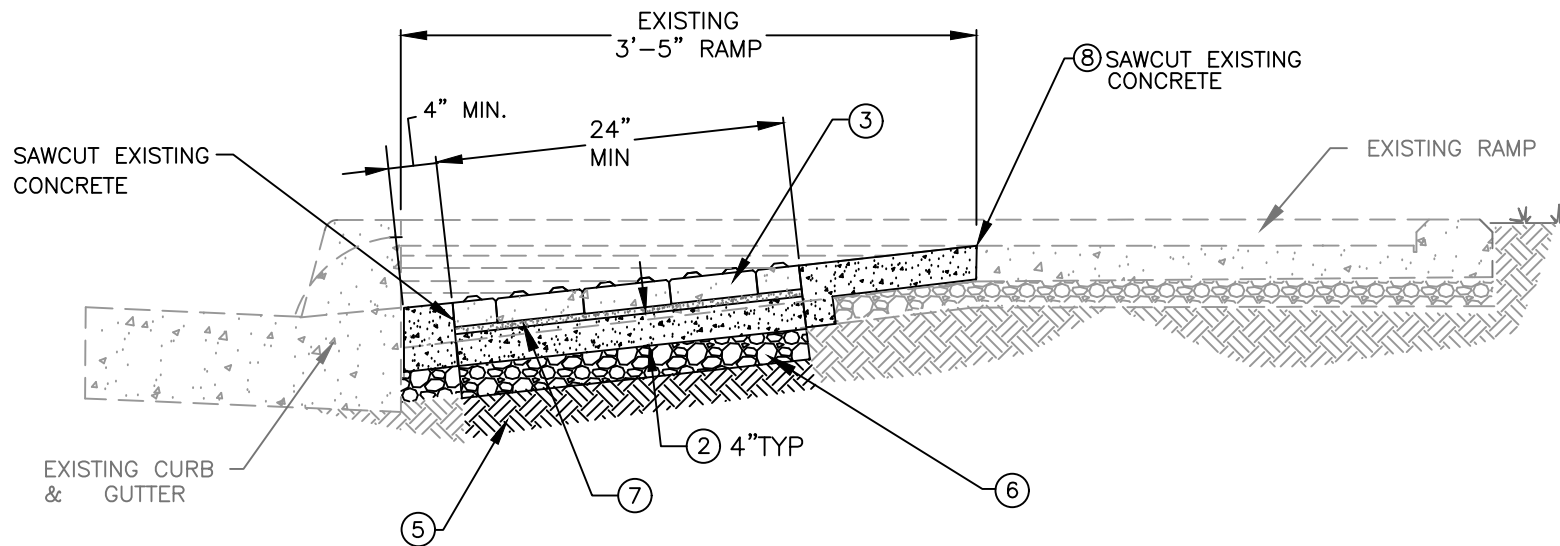
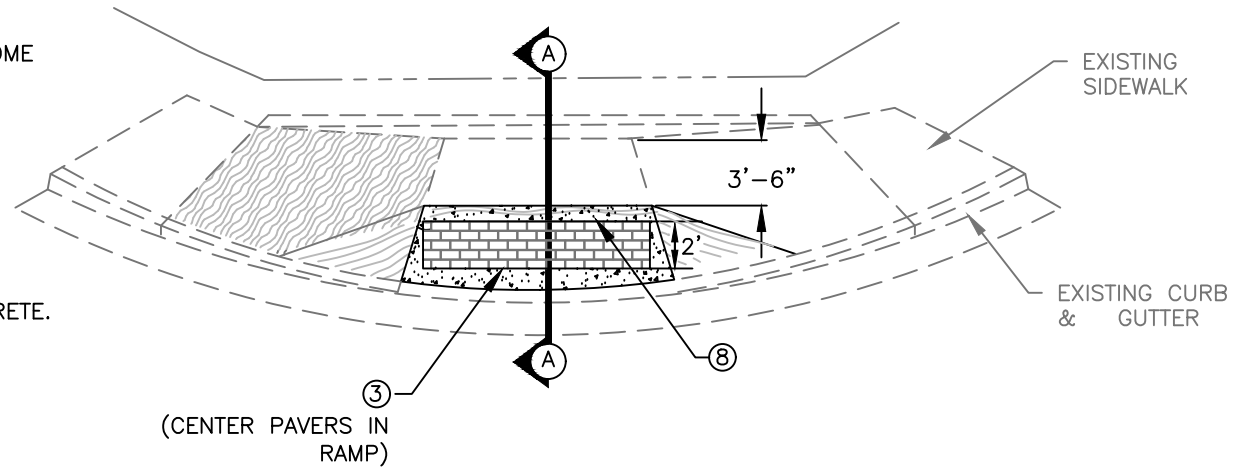






**NOTES:**

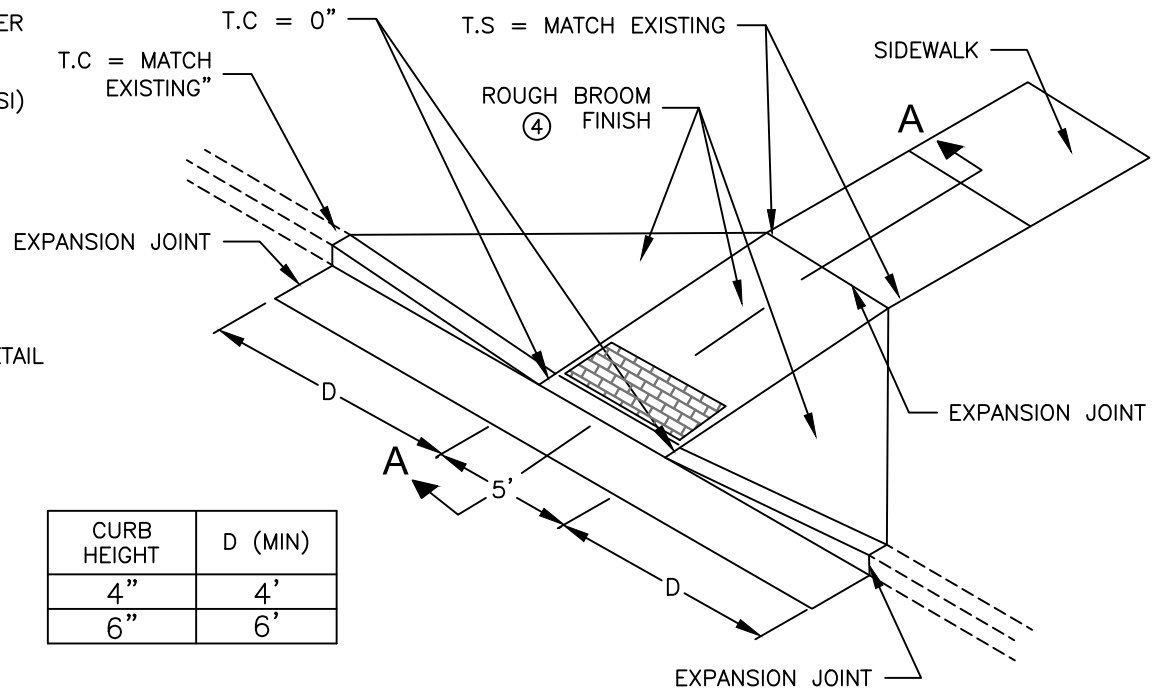
1. CONTROL ELEVATIONS SHOWN ARE IN RELATION TO THE GUTTER AND ARE LOCATED RADIALLY. GUTTER ELEV.=0.
2. ALL CONCRETE CONSTRUCTION SHALL BE CLASS 'A' (3000 PSI) PER MAG STD. SECT. 725.
3. ALL ADA RAMPS SHALL HAVE DETECTABLE TRUNCATED DOME WARNING PAVERS PER SIERRA VISTA DETAIL SV263.
4. ROUGH BROOM FINISH (TYP).
5. SUBGRADE PREPARATION PER MAG STD. SECT. 301.
6. 3" ABC COMPACTED TO 95% DENSITY. SEE SIERRA VISTA DETAIL SV200-4.
7. 1" OF BEDDING SAND BETWEEN NEW PAVERS AND CONCRETE.
8. SAWCUT AND REMOVE TO NEAREST JOINT.



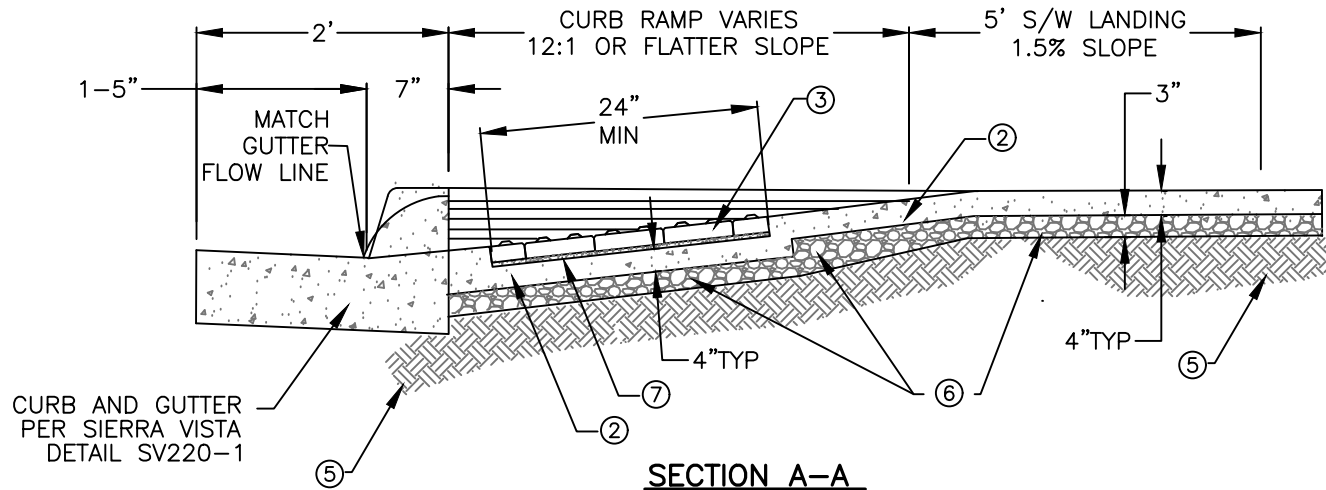
**SECTION A-A**

**NOTES:**

1. CONTROL ELEVATIONS SHOWN ARE IN RELATION TO THE GUTTER AND ARE LOCATED RADIALLY. GUTTER ELEV.=0.
- ② ALL CONCRETE CONSTRUCTION SHALL BE CLASS 'A' (3000 PSI) PER MAG STD. SECT. 725.
- ③ ALL ADA RAMPS SHALL HAVE DETECTABLE TRUNCATED DOME WARNING PAVERS PER SIERRA VISTA DETAIL SV263.
- ④ ROUGH BROOM FINISH (TYP).
- ⑤ SUBGRADE PREPARATION PER MAG STD. SECT. 301.
- ⑥ 3" ABC COMPACTED TO 95% DENSITY. SEE SIERRA VISTA DETAIL SV200-4.
- ⑦ 1" OF BEDDING SAND BETWEEN NEW PAVERS AND CONCRETE.
8. USE CONTROL ELEVATIONS ASSOCIATED WITH CURB HEIGHT AT SIDEWALKS.

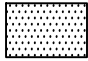


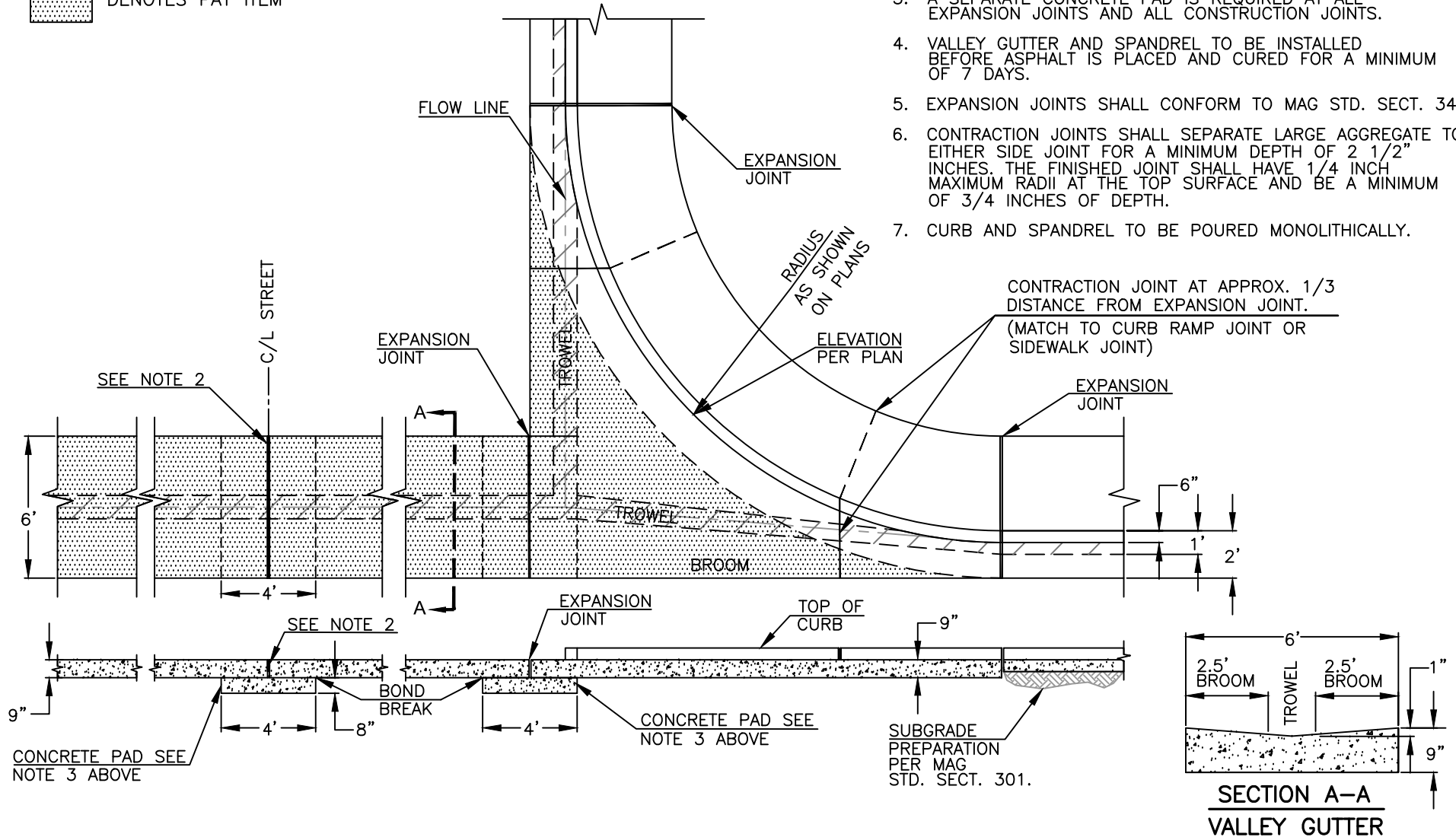
CURB HEIGHT	D (MIN)
4"	4'
6"	6'



**NOTES:**

1. ALL CONCRETE TO BE CLASS 'A' (3000 PSI) PER MAG STD. SECT. 725.
2. EITHER CONSTRUCTION JOINT OR CONTRACTION JOINT IS REQUIRED AT STREET CENTERLINE.
3. A SEPARATE CONCRETE PAD IS REQUIRED AT ALL EXPANSION JOINTS AND ALL CONSTRUCTION JOINTS.
4. VALLEY GUTTER AND SPANDREL TO BE INSTALLED BEFORE ASPHALT IS PLACED AND CURED FOR A MINIMUM OF 7 DAYS.
5. EXPANSION JOINTS SHALL CONFORM TO MAG STD. SECT. 340.
6. CONTRACTION JOINTS SHALL SEPARATE LARGE AGGREGATE TO EITHER SIDE JOINT FOR A MINIMUM DEPTH OF 2 1/2" INCHES. THE FINISHED JOINT SHALL HAVE 1/4 INCH MAXIMUM RADII AT THE TOP SURFACE AND BE A MINIMUM OF 3/4 INCHES OF DEPTH.
7. CURB AND SPANDREL TO BE POURED MONOLITHICALLY.

 DENOTES PAY ITEM



MODIFIED MAG DETAIL 240



CITY OF SIERRA VISTA  
1011 North Coronado Drive  
Sierra Vista, AZ 85635  
520-458-5775

CITY OF SIERRA VISTA  
VALLEY GUTTER

REVISED: 11/2022 SCALE: NTS

DETAIL NO:  
SV240

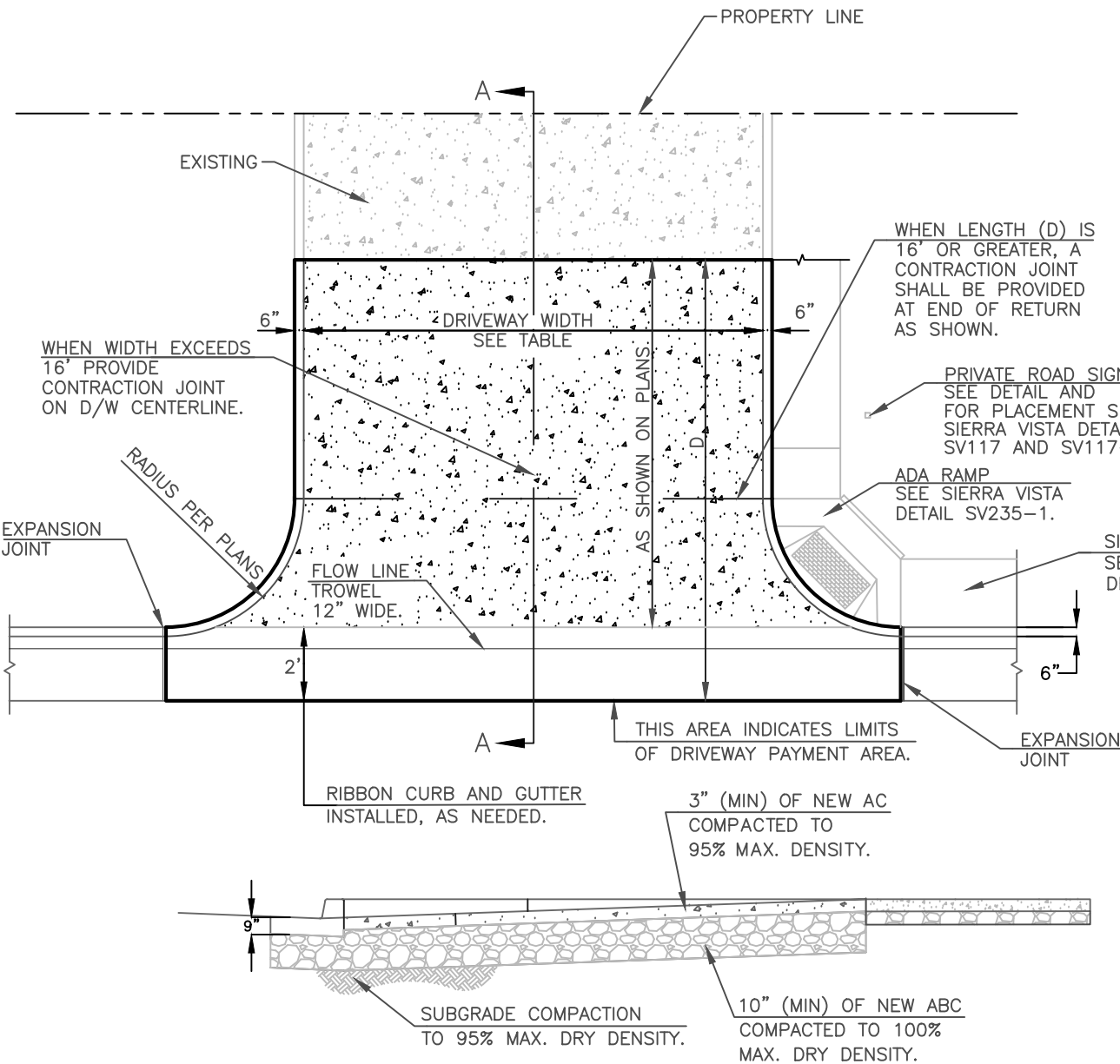
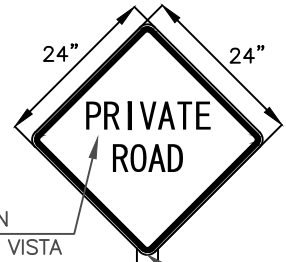


TABLE		
ZONING	DRIVEWAY WIDTH	
	COMMERCIAL AND INDUSTRIAL	MIN*
COMMERCIAL	16'	40'
INDUSTRIAL	16'	40'

\* 24' WHERE 2-WAY TRAFFIC IS ANTICIPATED

**NOTES:**

1. EXPANSION JOINT SHALL COMPLY TO MAG STD. SECT. 340.
2. THIS TYPE D/W TO BE USED ONLY UPON APPROVAL OF ENGINEER.
3. ALL CONCRETE SHALL BE CLASS "A" (3000 PSI) PER MAG STD. SECT. 725.



INSTALL SIGN  
SEE SIERRA VISTA  
DETAIL SV003.

INSTALL POST  
SEE SIERRA VISTA  
DETAIL SV117 AND  
SV117-3.

BOTTOM OF SIGN  
7' FROM FINAL GRADE.

**DETAIL**

**SECTION A-A**

MODIFIED MAG DETAIL 251



CITY OF SIERRA VISTA  
1011 North Coronado Drive  
Sierra Vista, AZ 85635  
520-458-5775

CITY OF SIERRA VISTA  
**RETURN TYPE DRIVEWAYS FOR COMMERCIAL PROPERTIES DETAIL**

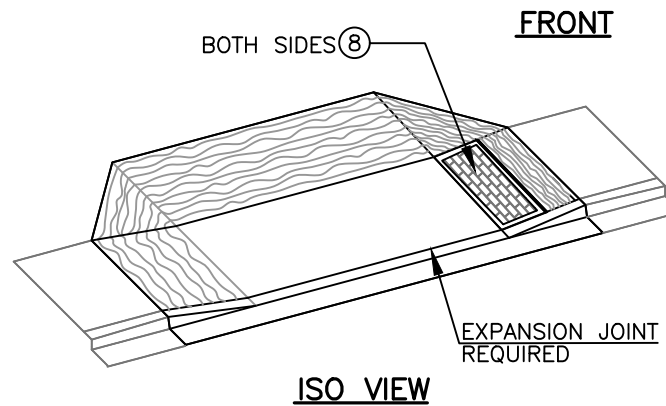
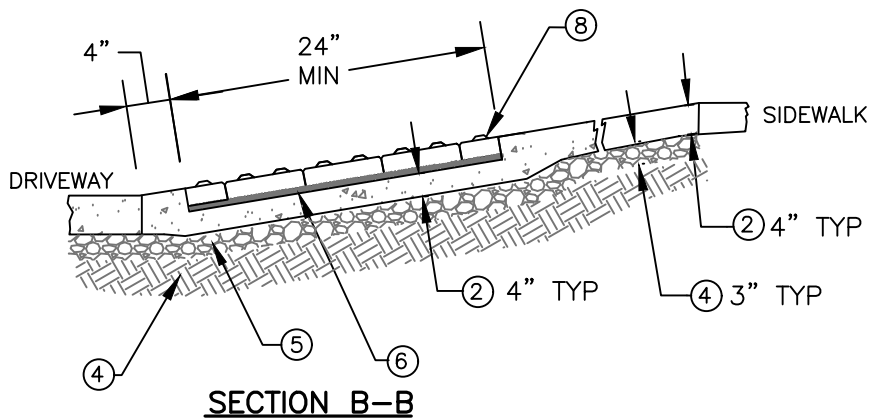
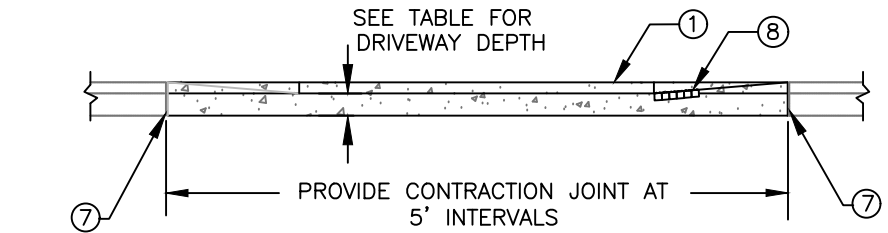
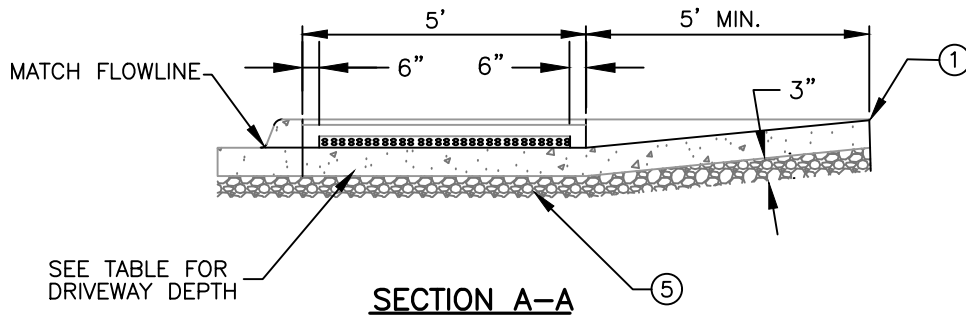
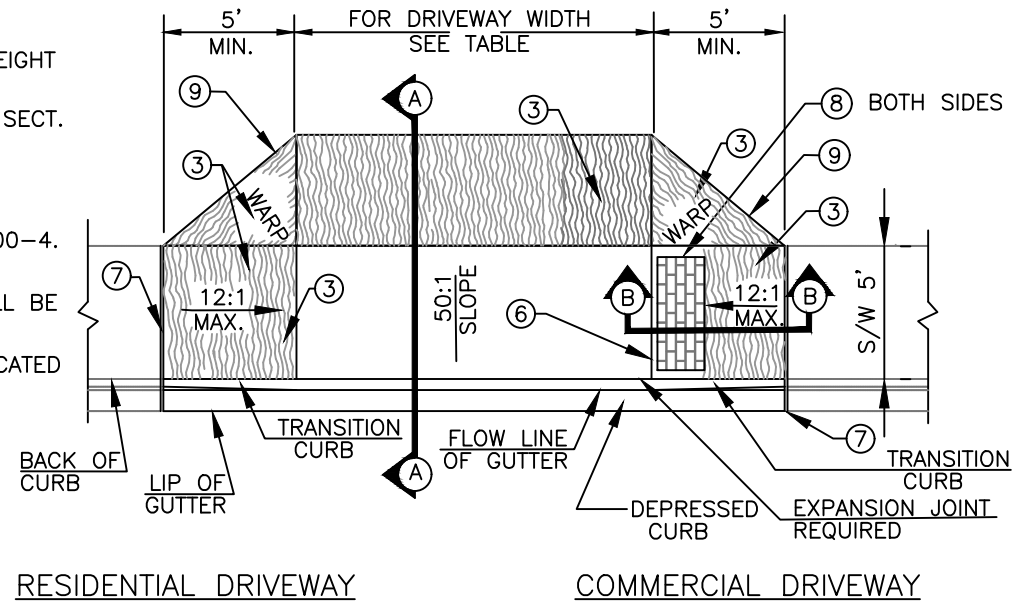
REVISED:  
06/2021

SCALE:  
NTS

DETAIL NO:  
**SV251**

**NOTES:**

- ① HEIGHT OF BACK OF ENTRANCE SHALL BE EQUAL TO OR GREATER THAN THE HEIGHT OF THE BACK OF THE ADJACENT SIDEWALK.
- ② ALL CONCRETE CONSTRUCTION SHALL BE CLASS 'A' (3000 PSI) PER MAG STD. SECT. 725.
- ③ ROUGH BROOM FINISH (TYP).
- ④ SUBGRADE PREPARATION PER MAG STD. SECT. 301.
- ⑤ 3" ABC COMPACTED TO 95% MAX. DRY DENSITY. SEE SIERRA VISTA DETAIL SV200-4.
- ⑥ 1" OF BEDDING SAND BETWEEN NEW PAVERS AND CONCRETE.
- ⑦ EXPANSION JOINT THROUGH CURB AND GUTTER. EXPANSION JOINT FILLER SHALL BE ½" BITUMINOUS TYPE PREFORMED EXPANSION JOINT FILLER ASTM 0-1751.
- ⑧ ONLY "COMMERCIAL" DRIVEWAYS/ALLEYWAYS SHALL HAVE ADA DETECTABLE TRUNCATED DOME WARNING PAVERS PER SIERRA VISTA DETAIL SV263.
- ⑨ DRIVEWAY WINGS ARE NOT NECESSARY FOR 4" ROLLED CURB. RESIDENTIAL DRIVEWAYS WHERE 4" ROLLED CURB EXIST; SEE SIERRA VISTA DETAIL SV262-1.



COMMERCIAL/ INDUSTRIAL			
DRIVEWAY WIDTH	MIN.	MAX.	CONC DEPTH
	16'	40'	6"
RESIDENTIAL			
DRIVEWAY WIDTH	MIN.	MAX.	CONC DEPTH
	16'	30'	5"



CITY OF SIERRA VISTA  
 1011 North Coronado Drive  
 Sierra Vista, AZ 85635  
 520-458-5775

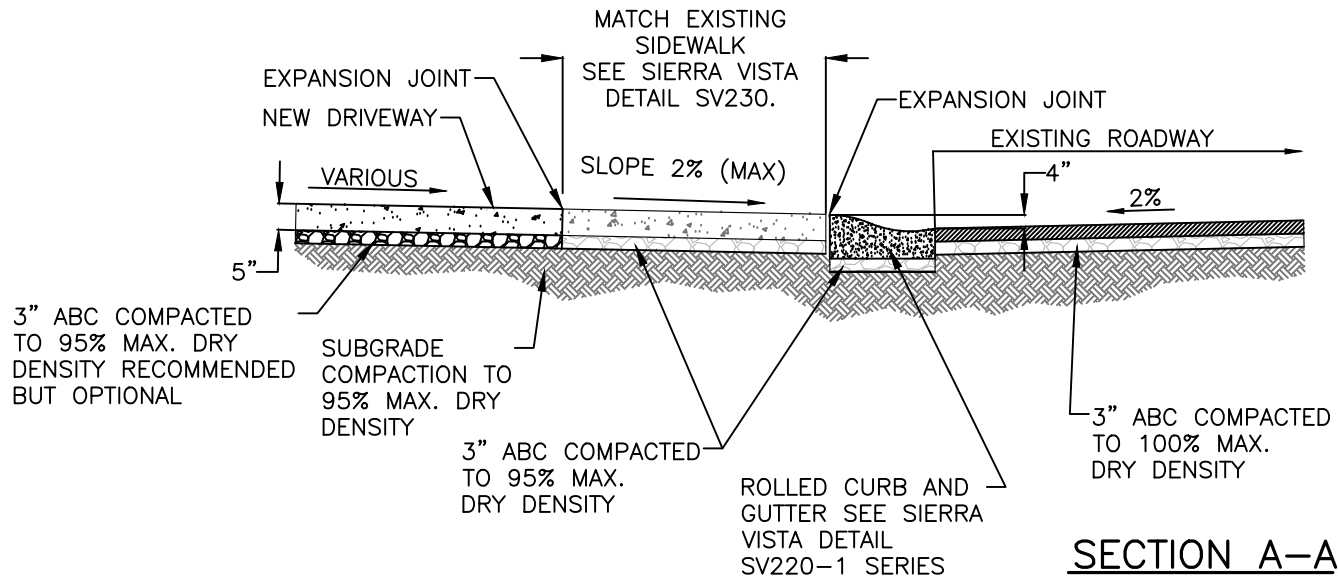
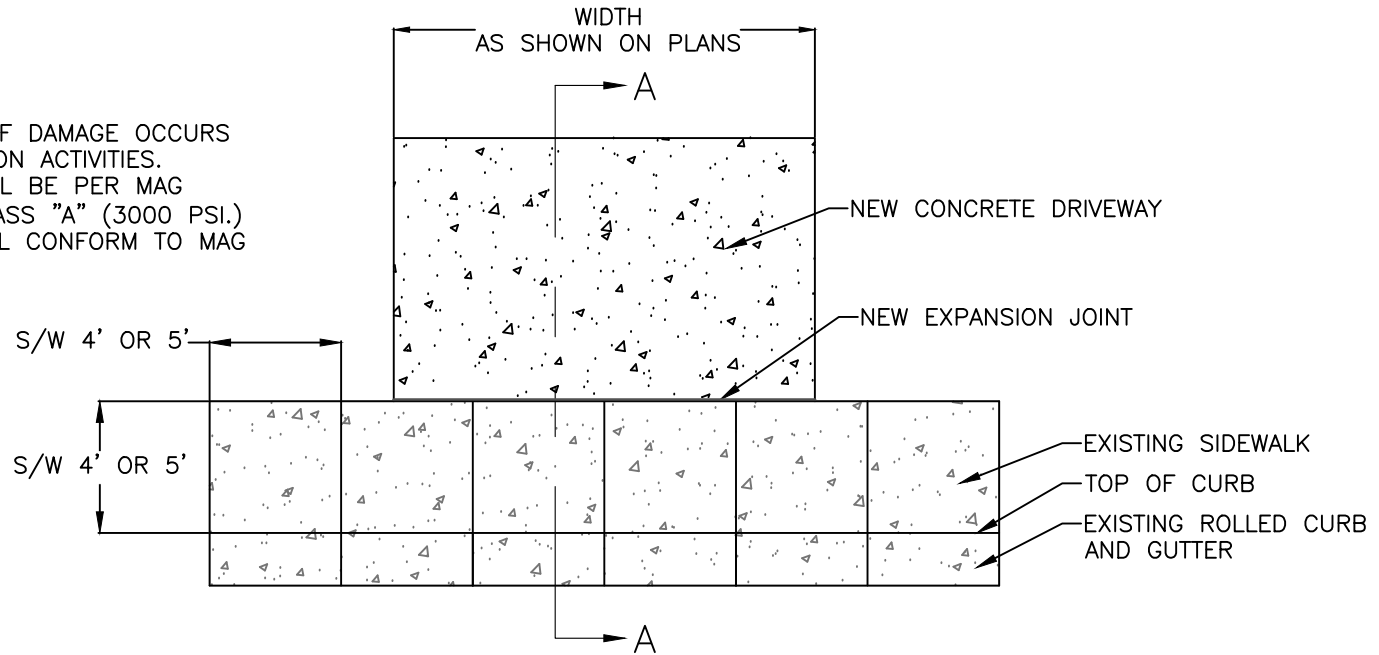
CITY OF SIERRA VISTA  
 COMBINED RESIDENTIAL/COMMERCIAL  
 ALLEYWAY AND DRIVEWAY ENTRANCE

REVISED: 05/2022      SCALE: NTS

DETAIL NO:  
**SV262**

**NOTES:**

1. REPLACE SIDEWALK IF DAMAGE OCCURS DURING CONSTRUCTION ACTIVITIES.
2. ALL CONCRETE SHALL BE PER MAG STD. SECT. 725, CLASS "A" (3000 PSI.)
3. CONSTRUCTION SHALL CONFORM TO MAG STD. SECT. 340.



**SECTION A-A**



CITY OF SIERRA VISTA  
 1011 North Coronado Drive  
 Sierra Vista, AZ 85635  
 520-458-5775

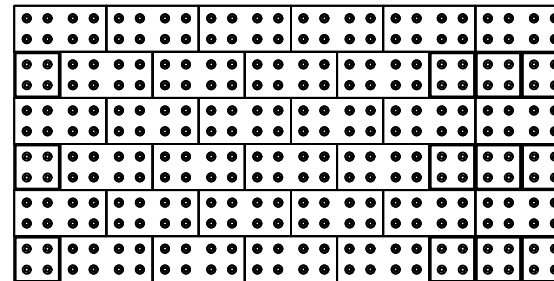
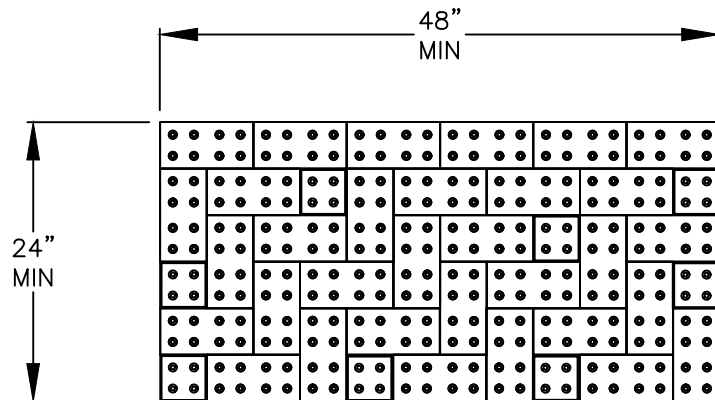
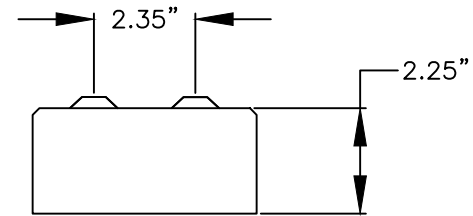
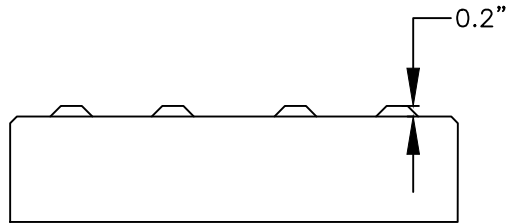
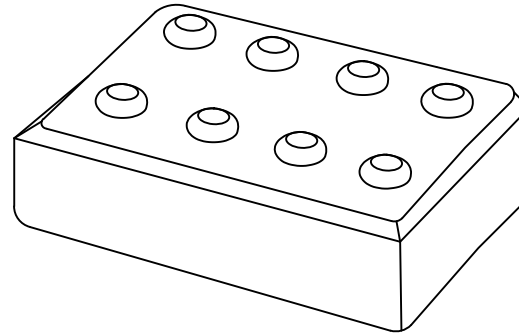
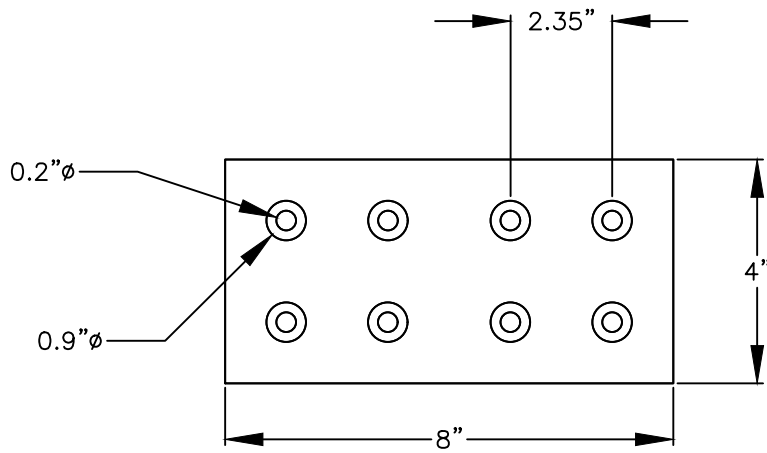
**CITY OF SIERRA VISTA  
 DRIVEWAY DETAIL WITH ROLLED CURB**

REVISED: 12/2022 SCALE: NTS

DETAIL NO:  
**SV262-1**

NOTES:

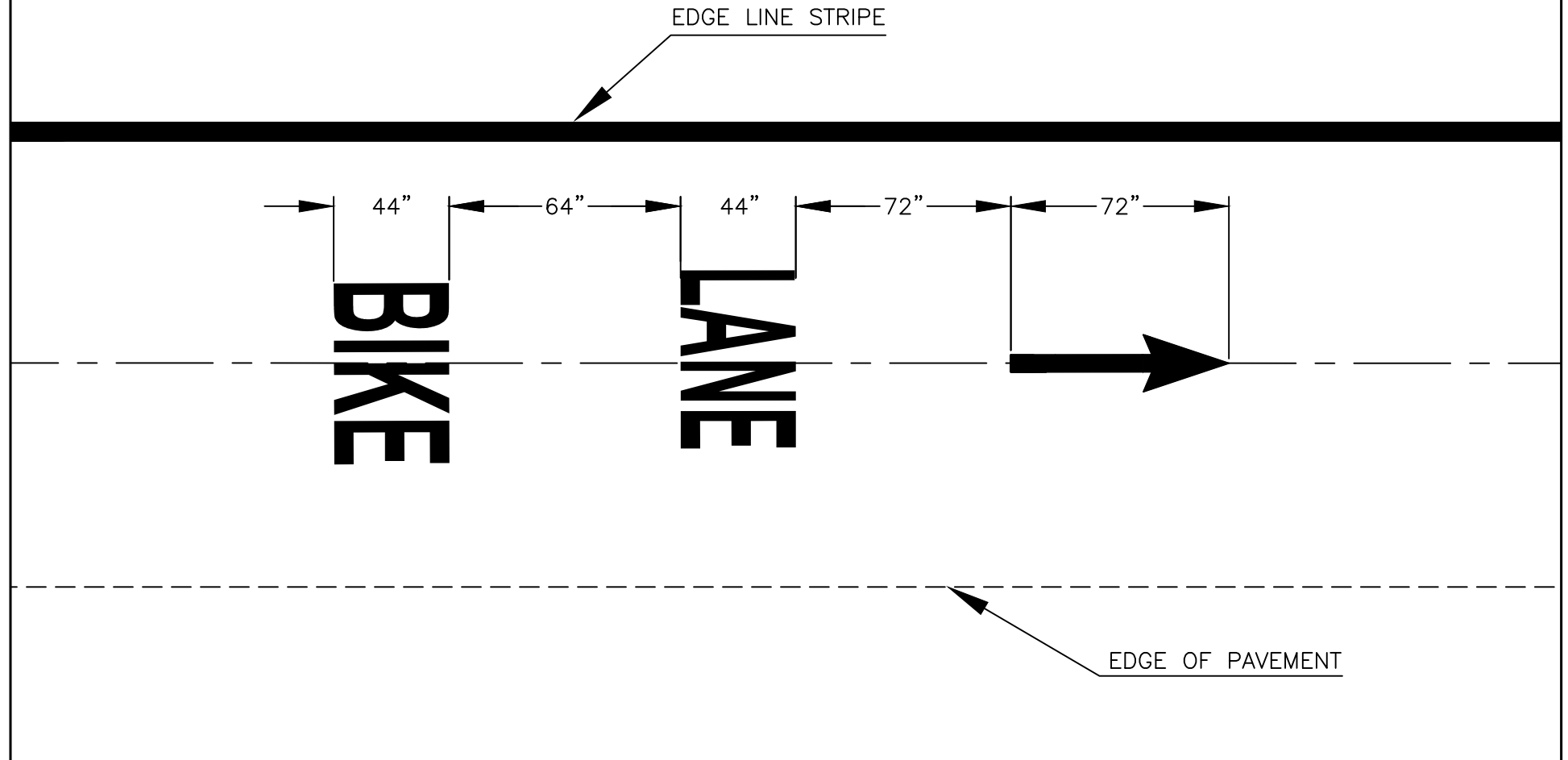
1. DETECTABLE WARNING PAVERS  
4" X 8" X 2-1/4" RED IN COLOR.
2. PAVERS TO BE LAID IN HERRINGBONE OR  
RUNNING BOND PATTERN.





NOTES:

1. EDGE LINE STRIPE SHALL BE 4" WIDE WHITE EXTRUDED THERMOPLASTIC.
2. PAVEMENT MARKINGS AND SYMBOLS MAY BE STENCIL OR PREFORMED THERMOPLASTIC.
3. CENTER PAVEMENT SYMBOLS AND MARKINGS BETWEEN EDGE LINE STRIPE AND EDGE OF PAVEMENT.



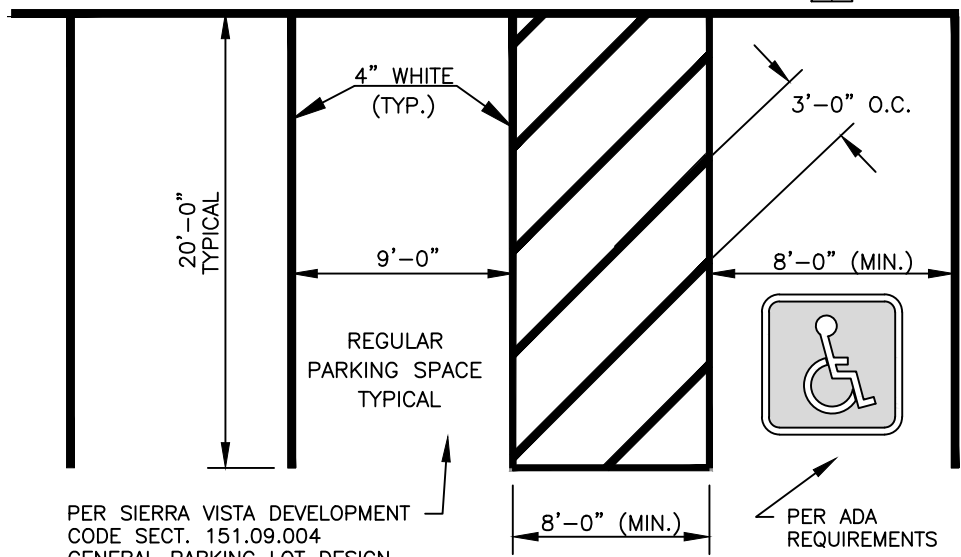
CITY OF SIERRA VISTA  
1011 North Coronado Drive  
Sierra Vista, AZ 85635  
520-458-5775

CITY OF SIERRA VISTA  
BIKE LANE MARKINGS DETAIL

REVISED: 06/2021 | SCALE: NTS

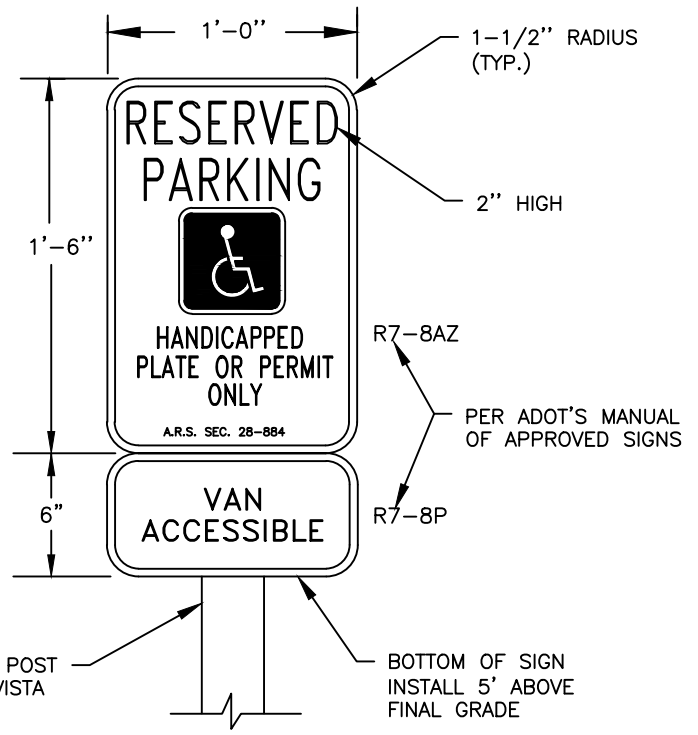
DETAIL NO:  
SV280

PLACE ADA PARKING SIGN



PER SIERRA VISTA DEVELOPMENT CODE SECT. 151.09.004 GENERAL PARKING LOT DESIGN REQUIREMENTS

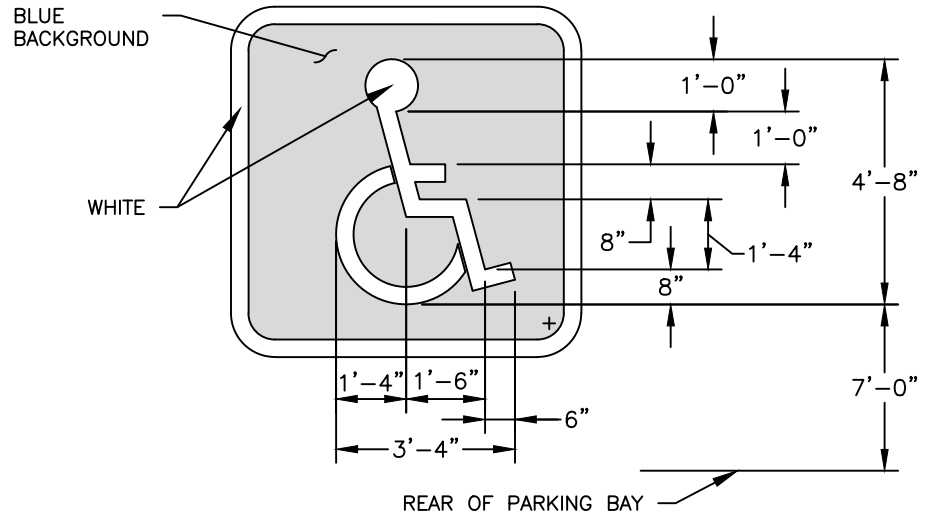
**TYPICAL ADA ACCESSIBLE PARKING DETAIL**



INSTALL SIGN POST PER SIERRA VISTA DETAIL SV117

BOTTOM OF SIGN INSTALL 5' ABOVE FINAL GRADE

**ADA PARKING SIGN**



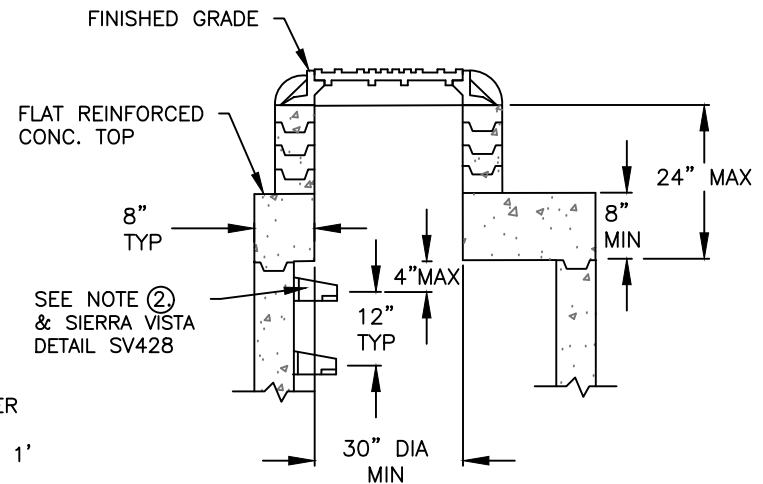
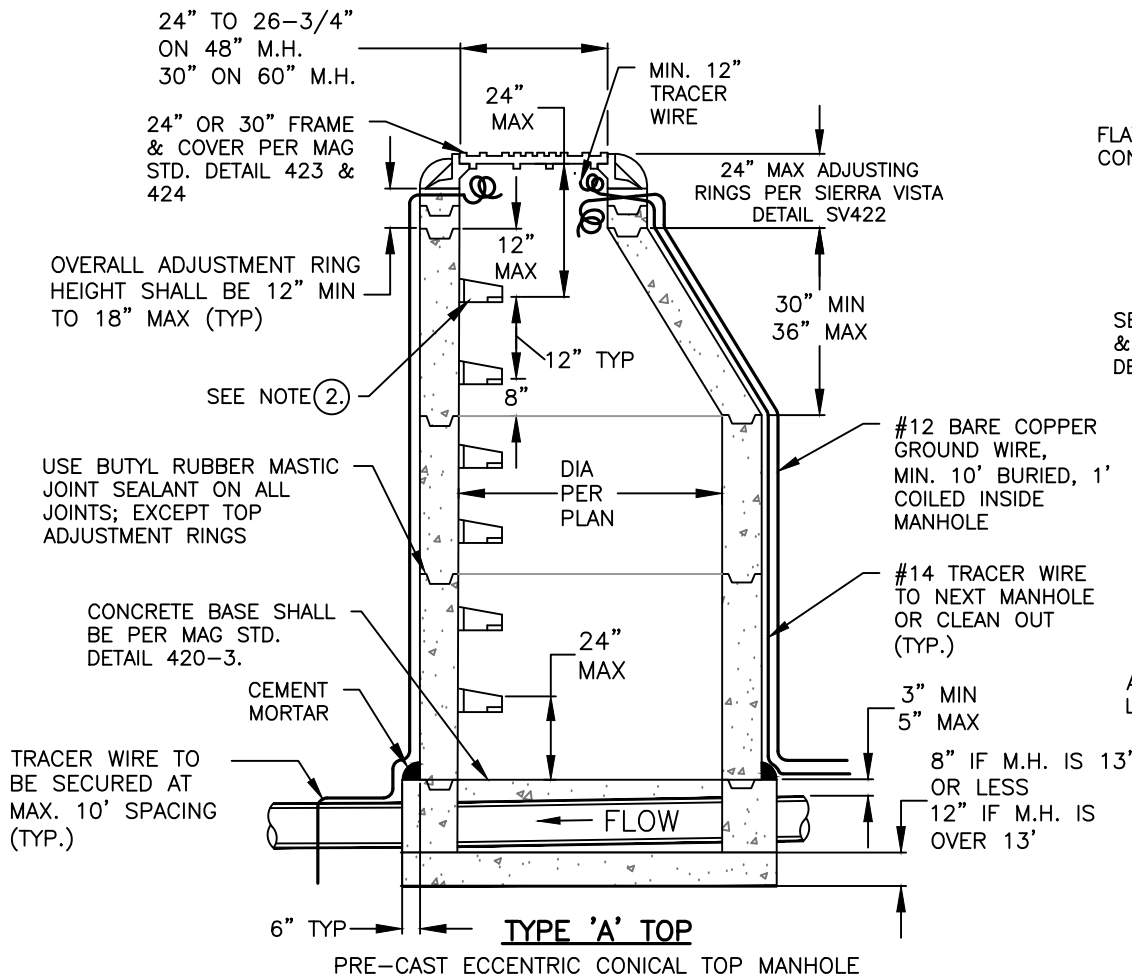
**ADA PARKING SYMBOL**



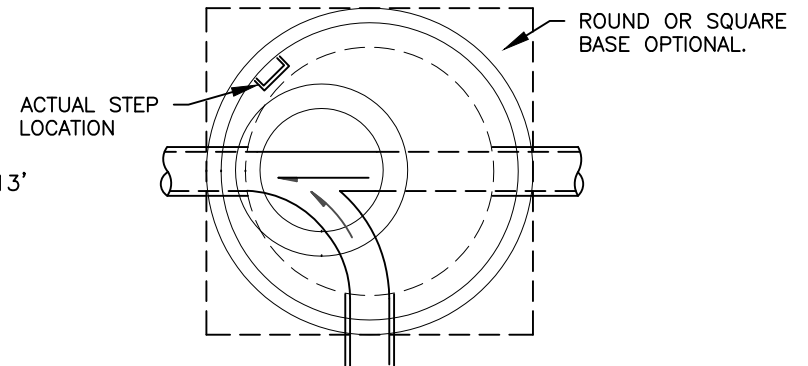
CITY OF SIERRA VISTA  
 1011 North Coronado Drive  
 Sierra Vista, AZ 85635  
 520-458-5775

CITY OF SIERRA VISTA  
 ADA PARKING DETAIL

REVISED: 06/2022	SCALE: NTS
DETAIL NO: <b>SV281</b>	



**PRECAST FLAT TOP MANHOLE**



**NOTES:**

1. PRE-CAST, REINFORCED M.H. SECTIONS SHALL BE MANUFACTURED IN ACCORDANCE WITH A.S.T.M. C-478 EXCEPT AS MODIFIED HEREIN.
- ② M.H. STEPS SHALL BE INSTALLED AT SITE OF M.H. SECTION MANUFACTURE. MINIMUM CLEARANCE EACH SIDE OF M.H. LEG SHALL BE 1". STEPS SHALL BE MOUNTED WITH 2 TO 1 SAND/CEMENT DRY PACK MORTAR. (SEE SIERRA VISTA DETAIL SV428 FOR M.H. STEPS.)
3. ALL CONCRETE CONSTRUCTION SHALL BE CLASS 'A' (3000 PSI) PER MAG STD. SECT. 725. FOR CAST IN PLACE MANHOLE BASE TO BE CONSTRUCTED IN ONE PLACEMENT.
4. CAST IN PLACE MANHOLE BASE SHELF AND CHANNEL TO RECEIVE SMOOTH TROWEL FINISH.
5. MANHOLE COATINGS PER CITY OF SIERRA VISTA, WHEN REQUIRED.
6. SEE SIERRA VISTA DETAIL SV422 FOR FINAL ADJUSTMENT TO GRADE.
7. ANY MANHOLE OVER 20' SHALL REQUIRE ENGINEER (STRUCTURAL) CALCS.

8. THE MANHOLE ACCESS POINT SHALL BE ORIENTED IN SUCH A WAY THAT THE OPENING IS DIRECTLY ABOVE THE LOWEST INVERT, OR AS OTHERWISE DIRECTED BY THE PLANS OR ENGINEER.
9. FOR PRECAST BASE SEE MAG STD. DETAIL 420-2.
10. FLAT TOPS SHALL ONLY BE USED WITH APPROVAL FROM THE ENGINEER.
11. A TRACER WIRE SHALL BE INSTALLED IN ORDER FOR THE CITY TO LOCATE ALL HCS LATERAL SEWER LINES. THE TRACER WIRE SHALL BE CONTINUOUS (NO SPLICES) SOLID 14 AWG COPPER CLAD STEEL WIRE WITH HDPE INSULATION RATED FOR BURIAL. THE WIRE SHALL BE SECURELY TAPED AT A MAXIMUM OF 10-FOOT INTERVALS AND EXTEND FROM THE SEWER MAIN TO A CLEANOUT AT ALL HCS LATERAL LINES. 12-INCHES OF TRACER WIRE SHALL BE ACCESSIBLE ABOVE GRADE AT THE CLEANOUT. THE CLEANOUT SHALL BE LOCATED ON THE PRIVATE SIDE OF THE PUBLIC RIGHT-OF-WAY.

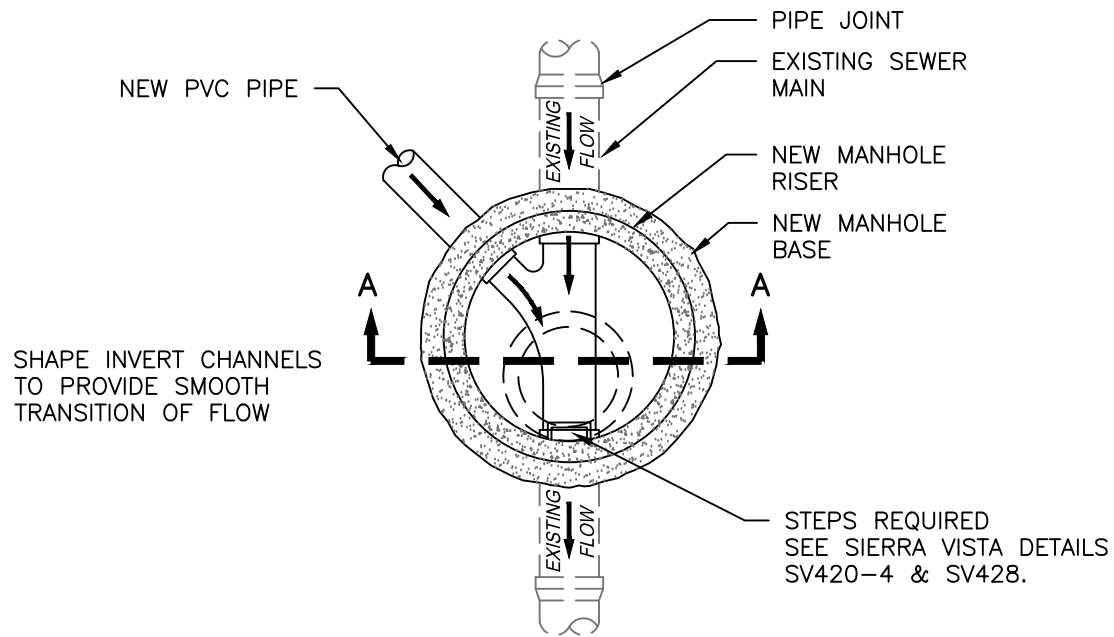
MODIFIED MAG DETAIL 420-1



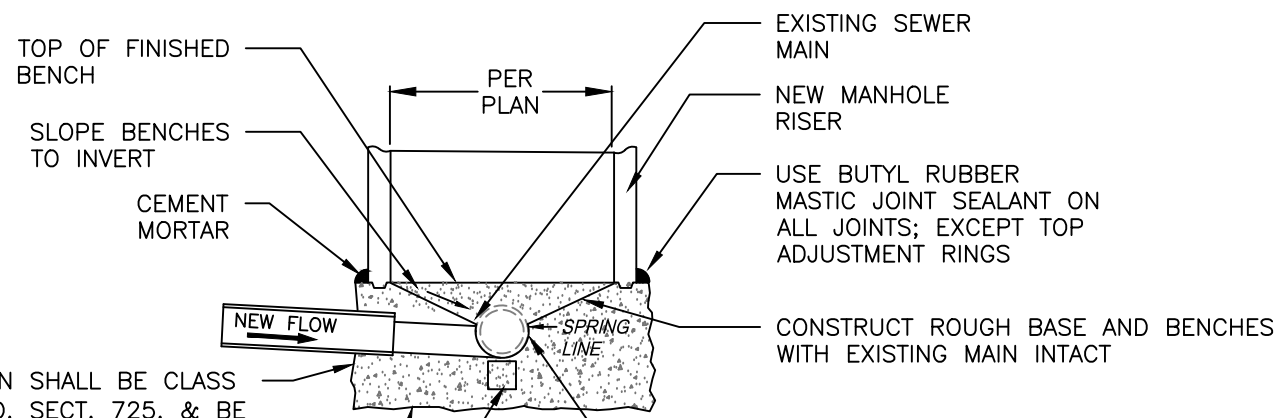
CITY OF SIERRA VISTA  
1011 North Coronado Drive  
Sierra Vista, AZ 85635  
520-458-5775

**CITY OF SIERRA VISTA  
CONCRETE SANITARY SEWER MANHOLE**

REVISED: 01/2024	SCALE: NTS
DETAIL NO: <b>SV420-4</b>	



**PLAN VIEW**



**SECTION A-A**

ALL CONCRETE CONSTRUCTION SHALL BE CLASS 'A' (3000 PSI) PER MAG STD. SECT. 725. & BE CONSTRUCTED PER MAG STD. DETAIL 420-3

NEW MANHOLE BASE SHALL BE PLACED ON UNDISTURBED EARTH OR COMPACTED (95%) SELECT MATERIAL

MASONRY BLOCK SUPPORT (AS REQUIRED)

AFTER COMPLETION OF ROUGH BASE AND BENCHES, CUT EXPOSED SECTIONS OF PIPE AND COMPLETE CONSTRUCTION OF THE MANHOLE IN ACCORDANCE WITH THE APPROPRIATE STANDARD DETAILS.



CITY OF SIERRA VISTA  
1011 North Coronado Drive  
Sierra Vista, AZ 85635  
520-458-5775

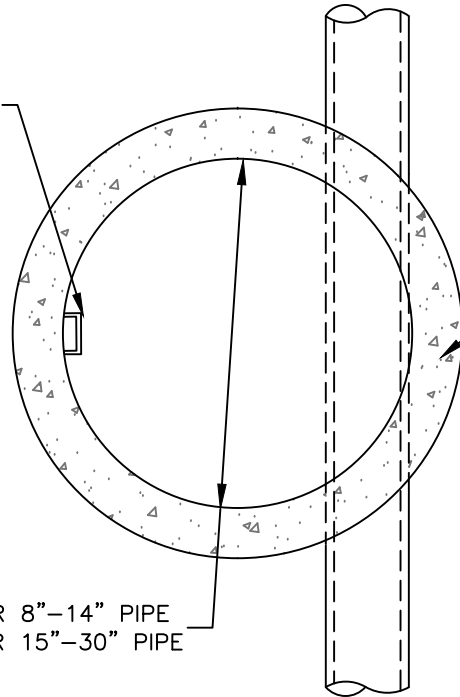
CITY OF SIERRA VISTA  
MANHOLE OVER EXISTING LINE

REVISED: 06/2021	SCALE: NTS
DETAIL NO: SV420-5	

PIPE SIZE AND ELEVATIONS  
AS SHOWN ON PLANS

MANHOLE STEPS  
SEE SIERRA  
VISTA DETAILS  
SV420-4 &  
SV428

48" I.D. FOR 8"-14" PIPE  
60" I.D. FOR 15"-30" PIPE



24" OR 30" FRAME  
& COVER PER MAG  
STD. DETAIL 423 &  
424

COMBINED CURB  
AND GUTTER

PROVIDE PRECAST  
ADJUSTMENT  
RINGS NOT TO  
EXCEED 12" EACH

ADJUST COVER  
SEE SIERRA VISTA  
DETAIL SV422

24"  
MAX

SEE SIERRA VISTA  
DETAIL SV428

4' MIN  
VARIABLE

PRECAST MANHOLE  
PER MAG SECT. 625, BRICK  
MANHOLES NOT ALLOWED

DIA  
PER  
PLAN

CONCRETE BASE SHALL BE PER MAG  
STD. DETAIL 420-3. ALL CONCRETE  
CONSTRUCTION SHALL BE CLASS 'A'  
(3000 PSI) PER MAG STD. SECT. 725.

24" MAX

4" TYP

CEMENT  
MORTAR

8" IF M.H. IS 13'  
OR LESS  
12" IF M.H. IS  
OVER 13'

3" MIN  
5" MAX

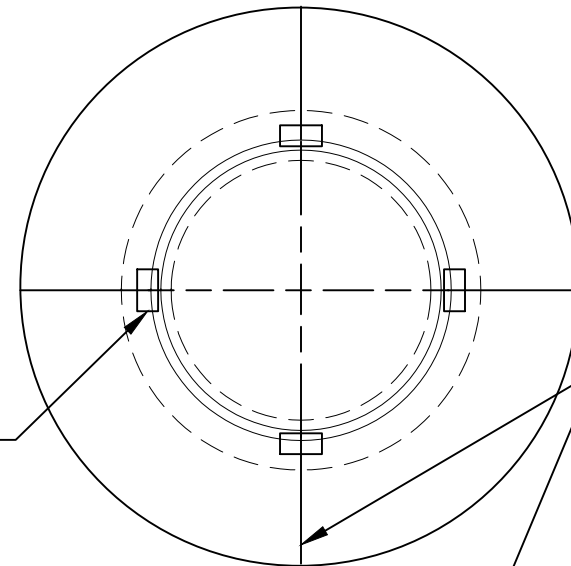
TROWEL FINISH  
SMOOTH

MODIFIED MAG DETAIL 421

**NOTES:**

- EXISTING BRICK MANHOLES AND BASES SHALL BE REPLACED WITH NEW CONCRETE MANHOLES. NO NEW CONNECTION SHALL BE MADE TO AN EXISTING BRICK MANHOLE. EXISTING BRICK MANHOLES SHALL NOT BE ADJUSTED TO A NEW FINISH GRADE. ANY EXISTING BRICK MANHOLES THAT NEED TO BE ADJUSTED TO GRADE SHALL BE COMPLETELY REPLACED.
- CONTRACTORS SHALL ADJUST ALL MANHOLE RINGS AND COVERS, INCLUDING MANHOLES OUTSIDE OF THE PAVEMENT.
- GROUT SHALL BE USED BETWEEN FRAME AND ADJUSTING RINGS TO ACHIEVE WATER TIGHTNESS.
- ANYTIME ASPHALT IS REMOVED FROM AROUND MANHOLES, CONCRETE COLLARS SHALL BE REPOURED AND ADJUSTED TO THE NEW GRADE.

SPACER TYPE	REQUIRED THICKNESS
BRICK	GREATER THAN 2"
4"X2" STEEL SPACER	1/2" TO 2"
GROUT	LESS THAN 1/2"

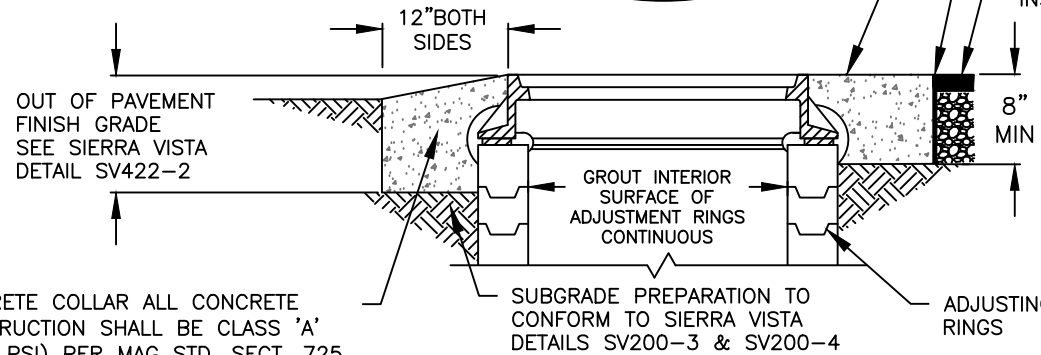


FOUR STEEL SPACERS, 4"X2" THICKNESS, AS REQUIRED. FROM 1/2" TO 2" WHEN THICKNESS IS LESS THAN 1/2" USE MORTAR, WHEN GREATER THAN 2", USE BRICK

MEDIUM BROOM FINISH WITH RADIALLY SCORED MARKS (4 MIN).

CRACK SEAL SHALL BE USED BETWEEN ASPHALT AND CONCRETE JOINT

EXISTING OR RECENTLY INSTALLED PAVEMENT



OUT OF PAVEMENT FINISH GRADE SEE SIERRA VISTA DETAIL SV422-2

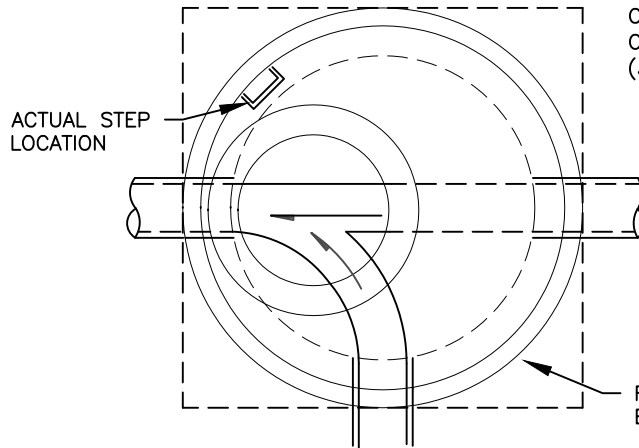
GROUT INTERIOR SURFACE OF ADJUSTMENT RINGS CONTINUOUS

8" MIN

SUBGRADE PREPARATION TO CONFORM TO SIERRA VISTA DETAILS SV200-3 & SV200-4

ADJUSTING RINGS

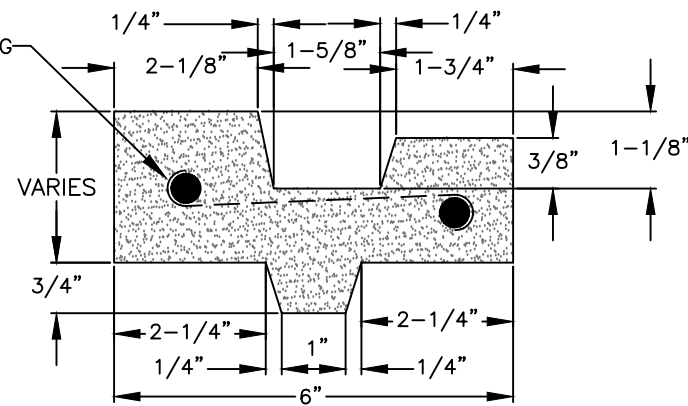
CONCRETE COLLAR ALL CONCRETE CONSTRUCTION SHALL BE CLASS 'A' (3000 PSI) PER MAG STD. SECT. 725.



ACTUAL STEP LOCATION

ROUND OR SQUARE BASE OPTIONAL.

- NO. 2 HOOPS FOR 4" RING TIED WITH NO. 4 A.S.& W. GAUGE WIRE. 6"&8" RING REQUIRE (4) NO.2 HOOPS.



VARIES

**ADJUSTING RING DETAIL**

MODIFIED MAG DETAIL 422



CITY OF SIERRA VISTA  
1011 North Coronado Drive  
Sierra Vista, AZ 85635  
520-458-5775

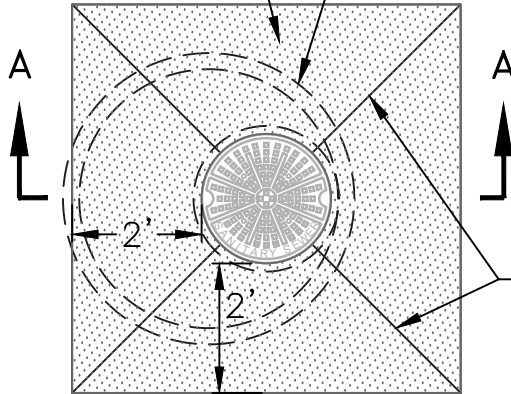
CITY OF SIERRA VISTA  
MANHOLE FRAME AND COVER ADJUSTMENT

REVISED: 01/2024 SCALE: NTS

DETAIL NO: SV422-1

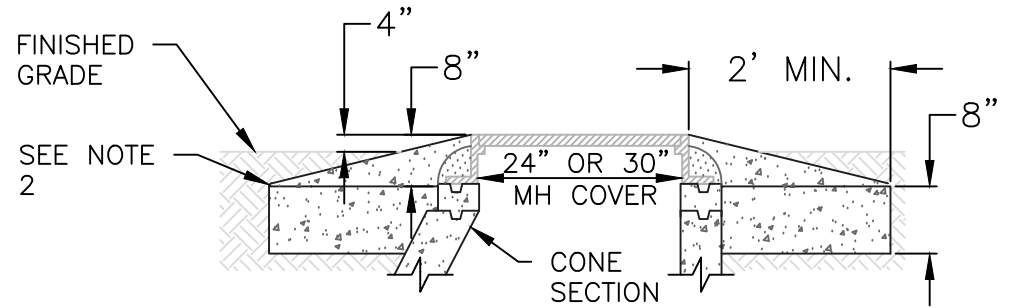
CLASS 'A' CONCRETE  
(3,000 PSI) PER MAG  
STD. SECT. 725,  
SEE NOTE 1

PRECAST  
CONCRETE  
RISER

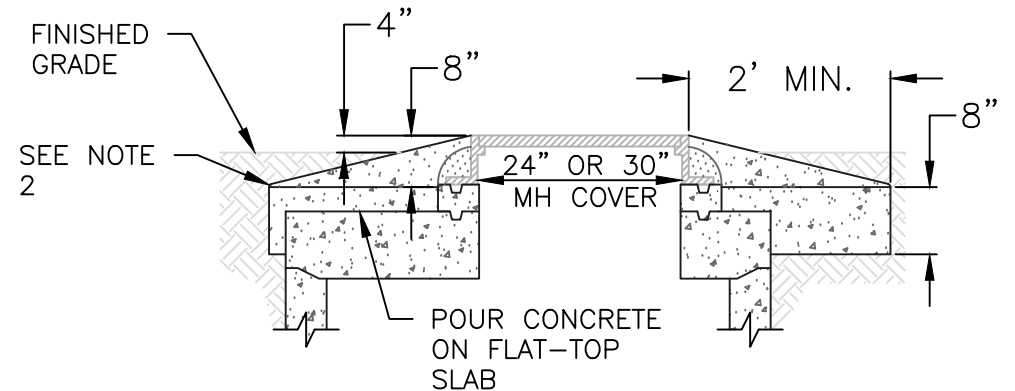


PLAN VIEW  
SQUARE COLLAR  
N.T.S.

4 RADIALLY  
EQUAL SCORE  
MARKS,  
SEE NOTE 2



SECTION A-A (FOR CONE SECTIONS)  
N.T.S.



SECTION A-A (FOR FLAT-TOP SLABS)  
N.T.S.

NOTES:

1. ALL COLLARS SHALL BE FORMED.
2. FINISH ALL CONCRETE EDGES AND SCORE MARKS WITH A HAND TROWEL HAVING A 1/4" RADIUS. EXPOSED CONCRETE SURFACES SHALL HAVE A MEDIUM BROOM FINISH.
3. ANY MANHOLES THAT ARE LOCATED IN AREAS THAT WILL NOT BE PAVED SHALL BE RAISED TO AT LEAST 4" ABOVE THE HIGHEST ADJACENT GRADE. A CONCRETE COLLAR SHALL BE PLACED AROUND THE EXPOSED PORTIONS OF THE MANHOLE BARREL. THICKNESS OF THE CONCRETE COLLAR TO BE AT LEAST ONE FOOT (MEASURED PERPENDICULAR TO THE BARREL).

MODIFIED PIMA COUNTY DETAIL NO. RWRD 212



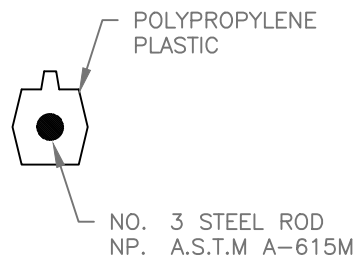
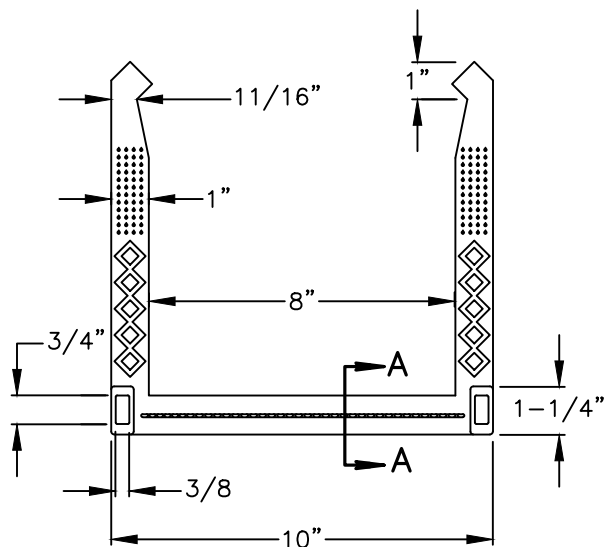
CITY OF SIERRA VISTA  
1011 North Coronado Drive  
Sierra Vista, AZ 85635  
520-458-5775

CITY OF SIERRA VISTA  
CONCRETE COLLAR FOR UNPAVED AREAS

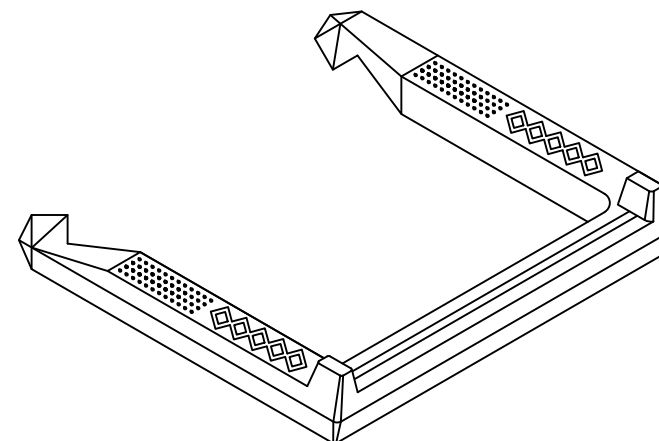
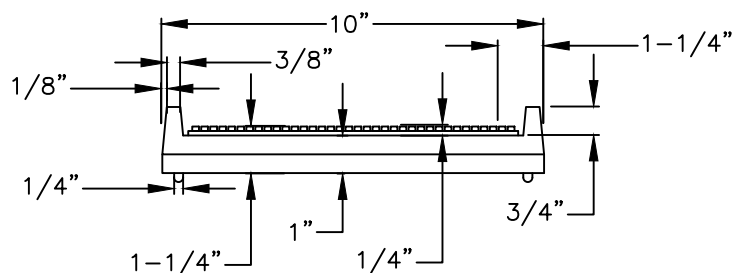
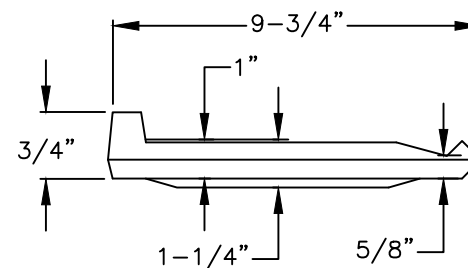
REVISED:  
01/2024

SCALE:  
NTS

DETAIL NO:  
SV422-2



**SECTION A-A**



**NOTES:**

1. STEPS SHALL BE EPOXYED IN PLACE.
2. POLYPROPYLENE MUST MEET REQUIREMENTS OF A.S.T.M. 4101, TYPE II, GRADE 16906.

**POLYPROPYLENE MANHOLE STEP**



CITY OF SIERRA VISTA  
 1011 North Coronado Drive  
 Sierra Vista, AZ 85635  
 520-458-5775

CITY OF SIERRA VISTA  
 MANHOLE STEPS DETAIL

REVISED:  
 01/2024

SCALE:  
 NTS

DETAIL NO:  
**SV428**



**MINIMUM FREQUENCY OF TESTS FOR TRENCH BACKFILL REQUIRED FOR PUBLIC WORK PROJECTS IN THE CITY OF SIERRA VISTA.**

(SEE THE CITY OF SIERRA VISTA DEVELOPMENT CODE 151.08.011 & SIERRA VISTA DETAIL SV200-3)

**OUTSIDE A STREET PRISM (PUBLIC UTILITY EASEMENT):**

NATIVE MATERIAL – ONE TEST PER 12-INCH LIFT PER 400 LINEAL FEET. 95% DENSITY

ABC MATERIAL – ONE TEST PER 12-INCH LIFT PER 400 LINEAL FEET. 95% DENSITY

**NON-PAVED ALLEY:**

NATIVE MATERIAL – ONE TEST PER 12-INCH LIFT PER 400 LINEAL FEET. 95% DENSITY

ABC MATERIAL – ONE TEST PER 12-INCH LIFT PER 400 LINEAL FEET. 95% DENSITY

**EXISTING PAVED STREET PRISM (OR WITHIN 24" OF THE ASPHALT, CURB, OR SIDEWALK):**

ABC ONLY – ONE TEST PER 12-INCH LIFT PER 50 LINEAL FEET. 95% BELOW THE TOP 24-INCHES. 100% DENSITY FOR THE TOP 24-INCHES.

**EXISTING PAVED ALLEY:**

ABC ONLY – ONE TEST PER 12-INCH LIFT PER 50 LINEAL FEET. 100% DENSITY FOR THE TOP 24-INCHES. 95% BELOW THE TOP 24-INCHES.

**PROPOSED STREET PRISM:**

APPROVED NATIVE (FINES REQUIREMENT) – ONE TEST PER 12-INCH LIFT PER 300 LINEAL FEET. 95% DENSITY

ABC MATERIAL – ONE TEST PER 12-INCH LIFT PER 400 LINEAL FEET. 95% DENSITY

ALL TEST RESULTS SHOULD BE SENT TO THE CITY OF SIERRA VISTA FAX (520) 417-4859

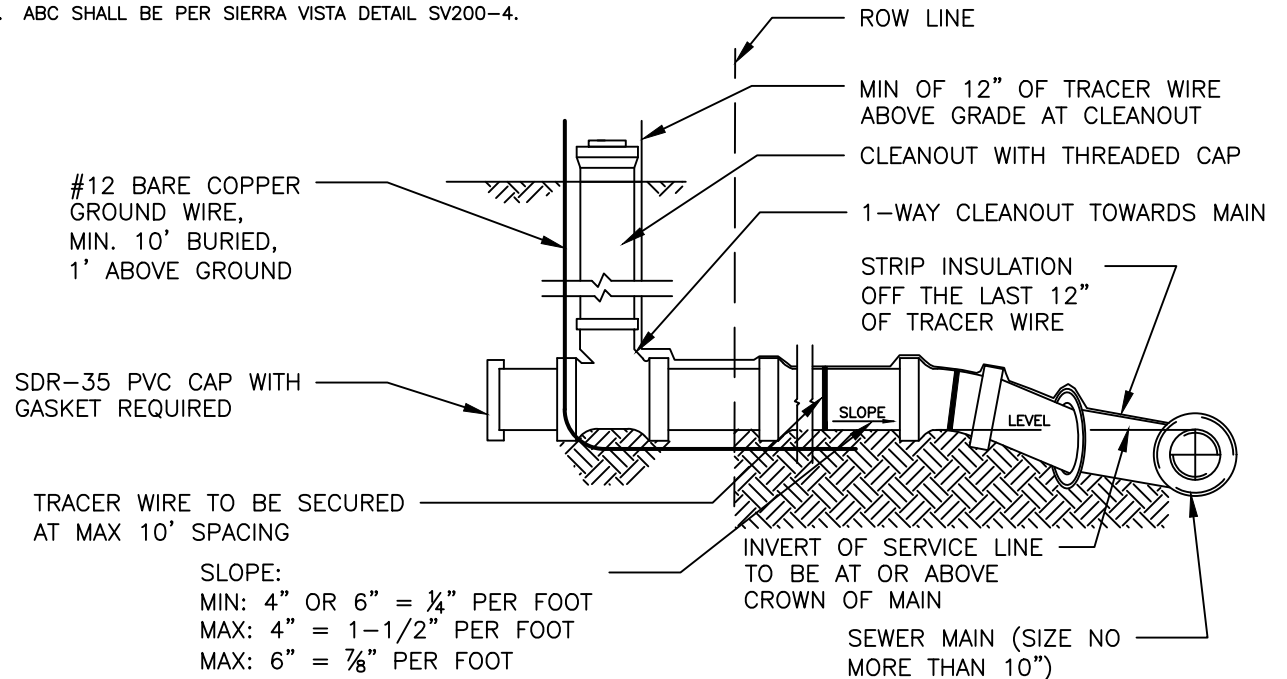
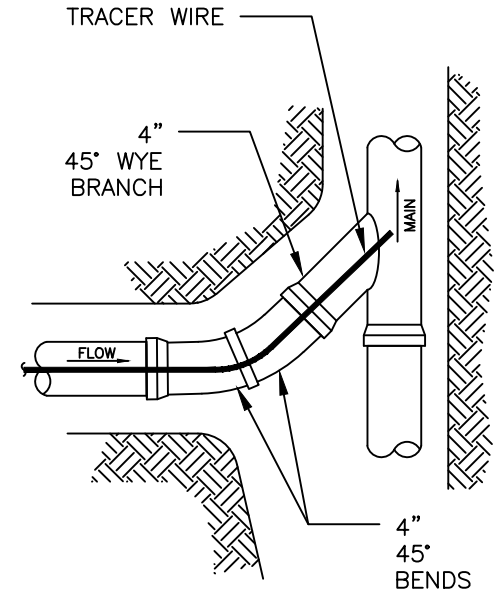
**NOTE:**

FIELD DENSITY TESTS SHALL BE TAKEN AT EVERY ONE-FOOT LIFT (VERTICALLY) OF NATIVE MATERIAL BEGINNING 18-INCHES ABOVE THE TOP OF THE GRANULAR SHADING MATERIAL OR FOR EVERY ONE-FOOT LIFT (VERTICALLY) OF ABC BACKFILL MATERIAL BEGINNING 12-INCHES ABOVE THE TOP OF THE GRANULAR SHADING MATERIAL. THE DENSITY TESTS SHALL BE STAGGERED IN ORDER TO DISTRIBUTE TESTING THROUGHOUT THE LIFTS OF BACKFILL MATERIAL PLACED IN THE TRENCH. ABC MAY NEED TO BE PLACED IN LESS THAN 12-INCH LIFTS TO OBTAIN THE REQUIRED DENSITY. SEE CITY OF SIERRA VISTA DEVELOPMENT CODE 151.08.009 FOR CITY REQUIREMENTS AND MAG STD. SECT. 601.4.6 FOR GRANULAR SHADING MATERIAL REQUIREMENTS.

EXAMPLE: IN A TRENCH, WHICH REQUIRES 36-INCHES OF COVER OVER THE PIPE, WHICH IS BACKFILLED WITH NATIVE MATERIAL, AND ASSUMING 12-INCHES OF GRANULAR SHADE MATERIAL THE FIRST TEST WOULD BE 30-INCHES ABOVE THE TOP OF THE PIPE (18-INCHES ABOVE THE SHADE MATERIAL) AND THE SECOND TEST WOULD BE AT FINISH GRADE. FOR THE SAME TRENCH BACKFILLED WITH ABC AND ASSUMING 12-INCHES OF SHADE MATERIAL YOU WOULD ONLY HAVE ONE-TEST AT FINISH GRADE. IF THE UTILITY OWNER ALLOWS LESS THAN 12-INCHES OF GRANULAR SHADE MATERIAL THE FREQUENCY OF TESTS MAY INCREASE.

**NOTES:**

1. SADDLE TYPE CONNECTION IS ONLY ALLOWED ON NEW SEWER TAPS INTO EXISTING SEWER LINES. ALL NEW CONSTRUCTION SHALL BE Y-CONNECTIONS.
2. SIZE OF TAP SHALL BE DESIGNATED ON PLANS.
3. CONSTRUCTION TAP AT MINIMUM SLOPE IF COVER WILL BE LESS THAN 5' AT PROPERTY LINE.
4. IF DEPTH REQUIRES, MINIMUM SLOPE CAN BE REDUCED TO 1/8" PER FOOT PROVIDED STUB IS STAKED TO GRADE.
5. ALL FITTINGS SHALL BE INSTALLED IN ACCORDANCE WITH ASTM D-2321. THE CONTRACTOR MAY VARY FROM THE DRAWING TO USE THE APPROPRIATE WYES.
6. TEE WYES AND BENDS TO ENSURE NO MISALIGNMENT OF THE PIPE AND FITTINGS. BLOCK OR BRACE FITTING JOINTS TO ENSURE ZERO DEGREES ANGULAR JOINT DEFLECTION.
7. END OF TAP TO BE SEALED AND MARKED AS NOTED.
8. A TRACER WIRE SHALL BE INSTALLED IN ORDER FOR THE CITY TO LOCATE ALL HCS LATERAL SEWER LINES. THE TRACER WIRE SHALL BE CONTINUOUS (NO SPLICES) SOLID 14 AWG COPPER WIRE WITH GREEN TYPE UF (UNDERGROUND FEEDER) INSULATION. THE WIRE SHALL BE SECURELY TAPED AT A MAXIMUM OF 10-FOOT INTERVALS AND EXTEND FROM THE SEWER MAIN TO A CLEANOUT AT ALL HCS LATERAL LINES. 12-INCHES OF TRACER WIRE SHALL BE ACCESSIBLE ABOVE GRADE AT THE CLEANOUT. THE CLEANOUT SHALL BE LOCATED ON THE PRIVATE SIDE OF THE PUBLIC RIGHT-OF-WAY.
9. ABC SHALL BE PER SIERRA VISTA DETAIL SV200-4.



SLOPE:  
 MIN: 4" OR 6" = 1/4" PER FOOT  
 MAX: 4" = 1-1/2" PER FOOT  
 MAX: 6" = 7/8" PER FOOT

MODIFIED MAG DETAIL 440-3



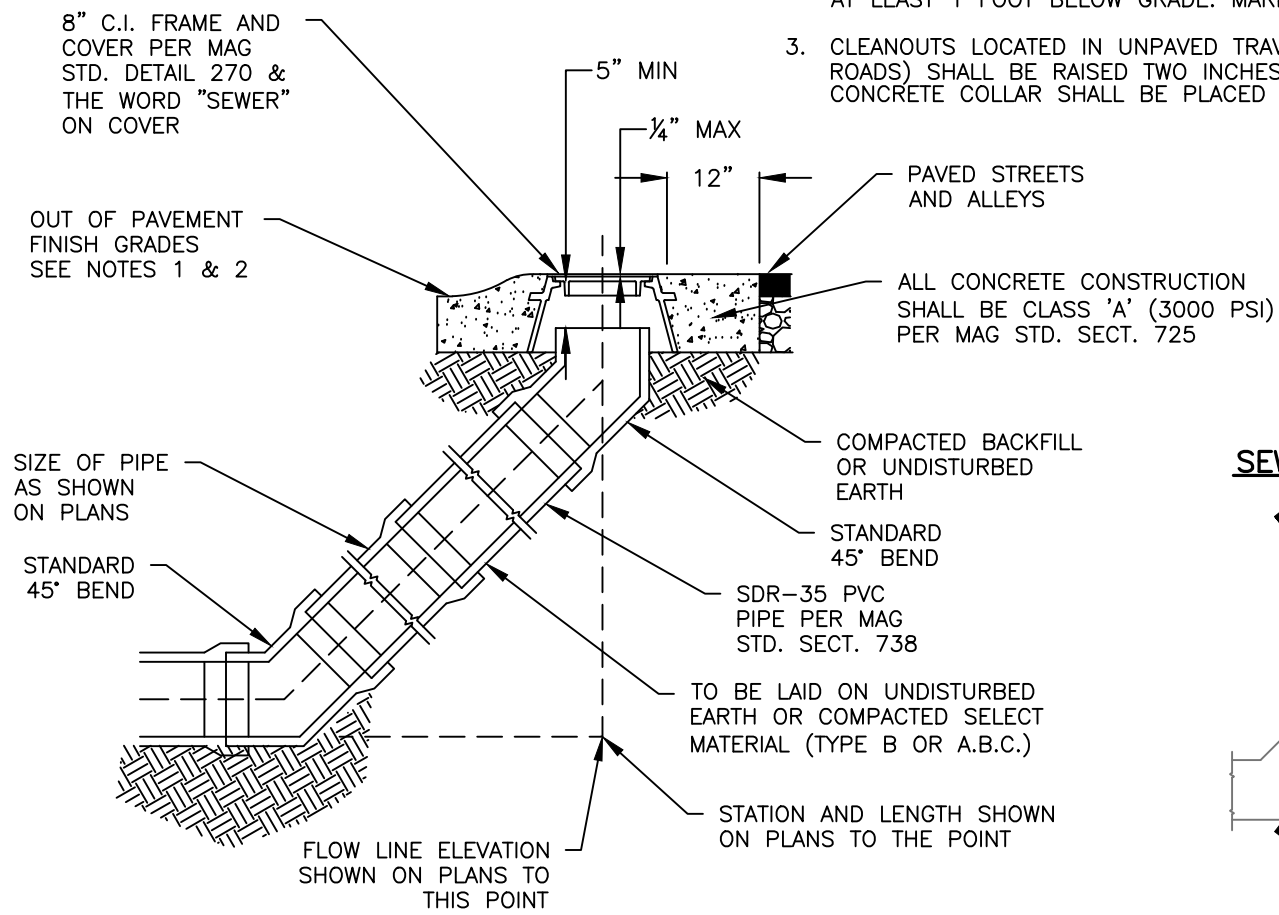
CITY OF SIERRA VISTA  
 1011 North Coronado Drive  
 Sierra Vista, AZ 85635  
 520-458-5775

CITY OF SIERRA VISTA  
 NEW SEWER BUILDING CONNECTIONS

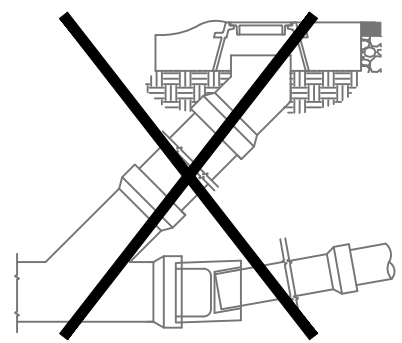
REVISED: 01/2024	SCALE: NTS
DETAIL NO: <b>SV440</b>	

NOTES:

1. ANY CLEANOUTS THAT ARE LOCATED IN AREAS THAT ARE TEMPORARILY UNPAVED SHALL BE RAISED TO AT LEAST ONE FOOT ABOVE THE HIGHEST ADJACENT GRADE ANTICIPATED. PROVIDE A STRAIGHT PIECE OF PIPE TO RAISE THE INLET ONE FOOT ABOVE ADJACENT GRADE. COVER WITH PVC CAP AND MARK WITH TRAFFIC CONES.
2. ANY MANHOLES THAT ARE LOCATED IN AREAS THAT WILL NOT BE PAVED SHALL BE RAISED TO AT LEAST ONE FOOT ABOVE THE HIGHEST ADJACENT GRADE. A CONCRETE COLLAR SHALL BE PLACED AROUND THE EXPOSED PORTIONS OF THE CLEANOUT. THICKNESS OF THE CONCRETE COLLAR TO BE AT LEAST ONE FOOT (MEASURED PERPENDICULAR TO THE COVER). DEPTH OF COLLAR TO BE AT LEAST 1 FOOT BELOW GRADE. MARK WITH 5' GREEN T-POST.
3. CLEANOUTS LOCATED IN UNPAVED TRAVEL WAYS (SUCH AS ALLEYS OR DIRT ROADS) SHALL BE RAISED TWO INCHES ABOVE THE ADJACENT GRADE. A CONCRETE COLLAR SHALL BE PLACED AROUND THE CLEANOUT AS SHOWN.



SEWER TAP AT CLEANOUT



NOT ALLOWED

CLEANOUT INSTALLATION

MODIFIED MAG DETAIL 441



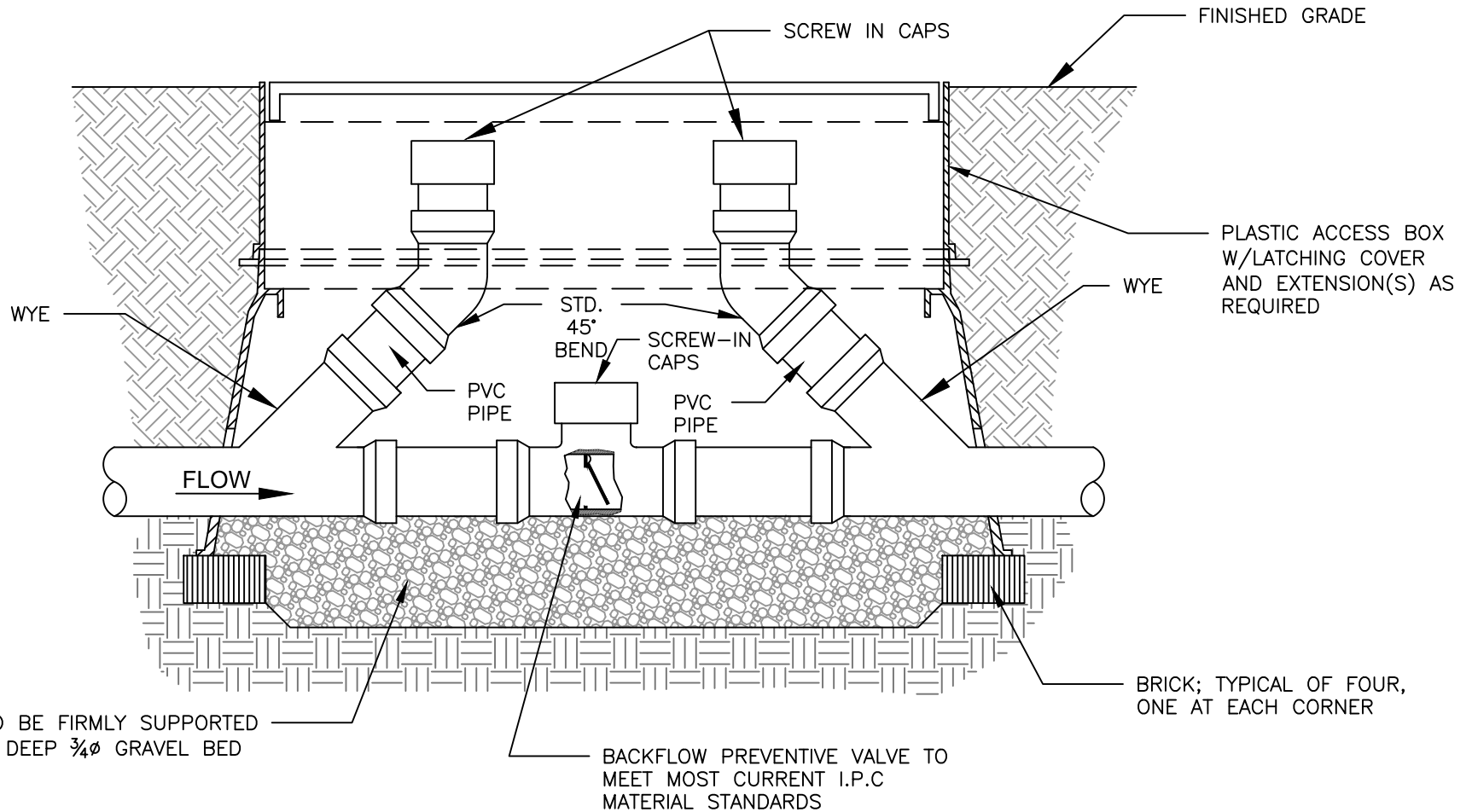
CITY OF SIERRA VISTA  
 1011 North Coronado Drive  
 Sierra Vista, AZ 85635  
 520-458-5775

CITY OF SIERRA VISTA  
 SEWER CLEANOUT AT TERMINATION OF SEWER MAINLINE

REVISED: 01/2023	SCALE: NTS
DETAIL NO: SV441	

NOTES:

1. ALL PIPE SHALL BE IN ACCORDANCE WITH THE REQUIREMENTS OF A.S.T.M. D-3034, SDR-35 PER MAG STD. SECT. 745.
2. SIZE OF PIPE SHALL BE 4" UNLESS OTHERWISE SHOWN ON PLANS.
3. ALL WORK SHALL CONFORM TO THE CITY OF SIERRA VISTA DEPARTMENT CODE SECTION 151.08.007.E.4.
4. BACKFLOW ASSEMBLIES SHALL BE INSTALLED ON ALL HCSs.
5. USE TEFLON TAPE ON ALL THREADED CONNECTIONS.



FORMER SIERRA VISTA DETAIL SV247



CITY OF SIERRA VISTA  
 1011 North Coronado Drive  
 Sierra Vista, AZ 85635  
 520-458-5775

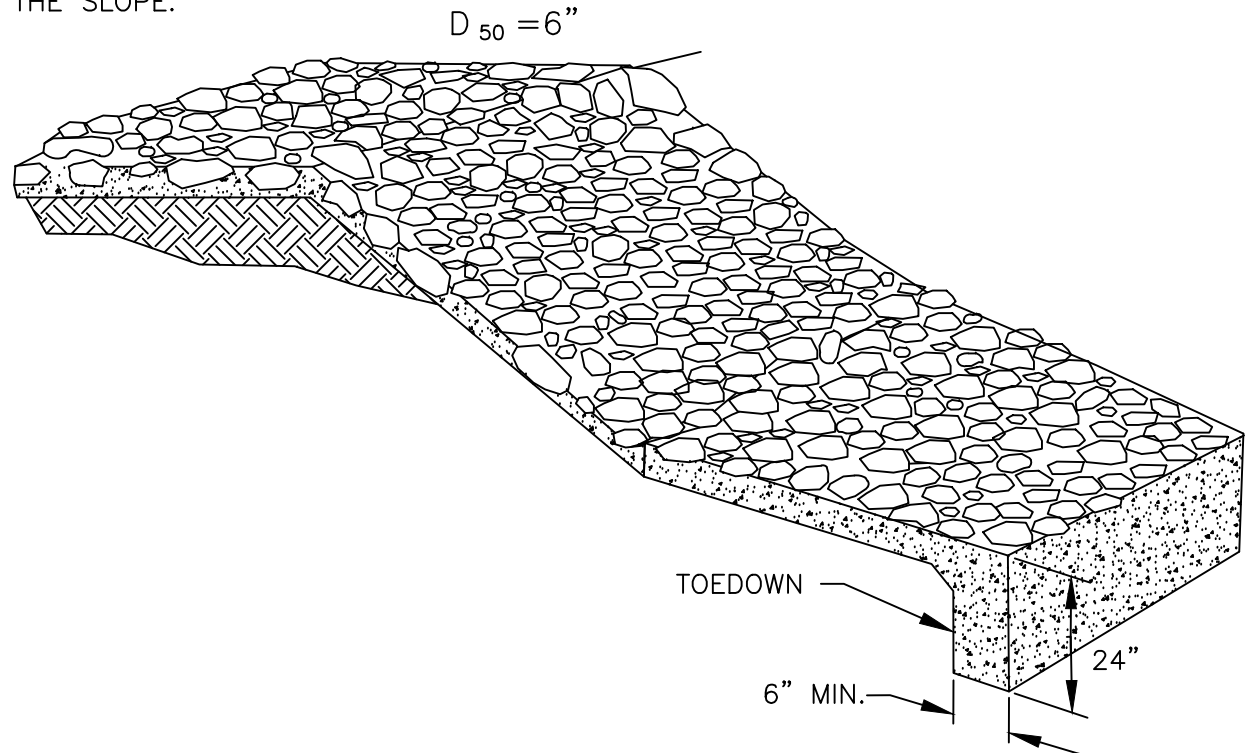
CITY OF SIERRA VISTA  
 BACKFLOW ASSEMBLY SEWER  
 CONNECTION

REVISED: 06/2021  
 SCALE: NTS

DETAIL NO:  
**SV442**

NOTES:

1. PREPARE THE BED FOR THE RIP RAP BY EXCAVATING AND SHAPING THE SLOPES AS WELL AS CONSTRUCTING THE TOE FOR RIP RAP INSTALLATION.
2. ALL STONES SHALL BE ANGULAR WITH ROUGH FLAT SURFACE TEXTURE. STONES SHALL BE APPROVED BY THE ENGINEER.
3. STONE SIZE ( $D_{50}$ ) SHALL BE IN ACCORDANCE TO WHAT IS SHOWN ON THE PLANS.
4. THICKNESS OF ANY RIP RAP LAYER SHALL BE AT LEAST TWICE THE  $D_{50}$  SHOWN ON THE PLANS.
5. STONE TOLERANCE SHALL NOT EXCEED 1 INCH IN HEIGHT.
6. GAP TOLERANCE BETWEEN STONES SHALL NOT EXCEED 1 INCH.
7. LAY THE STONE PERPENDICULAR TO THE SLOPE.



DESIGN GRADATION FOR RIPRAP	
% PASSING	Size (Inches)
100-90	12
85-70	9
50-30	6
15-5	4
5-0	2

FORMER SIERRA VISTA DETAIL SV101



CITY OF SIERRA VISTA  
1011 North Coronado Drive  
Sierra Vista, AZ 85635  
520-458-5775

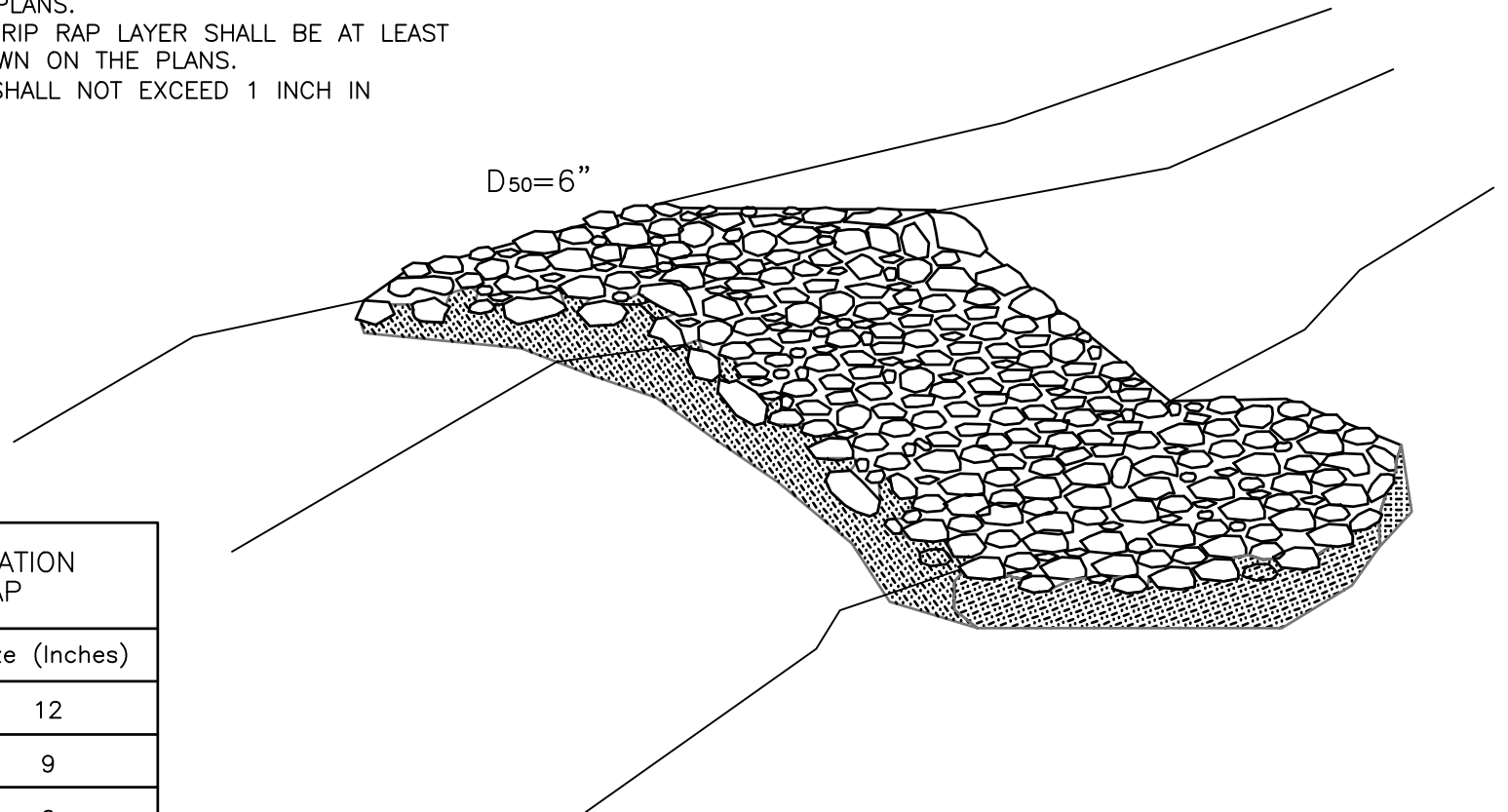
CITY OF SIERRA VISTA  
HANDPLACED GROUTED RIP RAP  
EMBANKMENT PROTECTION/ARMOR

REVISED: 06/2021 SCALE: NTS

DETAIL NO:  
SV556-1

NOTES:

1. PREPARE THE BED FOR THE RIP RAP BY EXCAVATING AND SHAPING THE SLOPES AS WELL AS CONSTRUCTING THE TOE FOR RIP RAP INSTALLATION.
2. ALL STONES SHALL BE ANGULAR WITH ROUGH FLAT SURFACE TEXTURE. STONES SHALL BE APPROVED BY THE ENGINEER.
3. STONE SIZE (D<sub>50</sub>) SHALL BE IN ACCORDANCE TO WHAT IS SHOWN ON THE PLANS.
4. THICKNESS OF ANY RIP RAP LAYER SHALL BE AT LEAST TWICE THE D<sub>50</sub> SHOWN ON THE PLANS.
5. STONE TOLERANCE SHALL NOT EXCEED 1 INCH IN HEIGHT.



DESIGN GRADATION FOR RIPRAP	
% PASSING	Size (Inches)
100-90	12
85-70	9
50-30	6
15-5	4
5-0	2

FORMER SIERRA VISTA DETAIL SV102

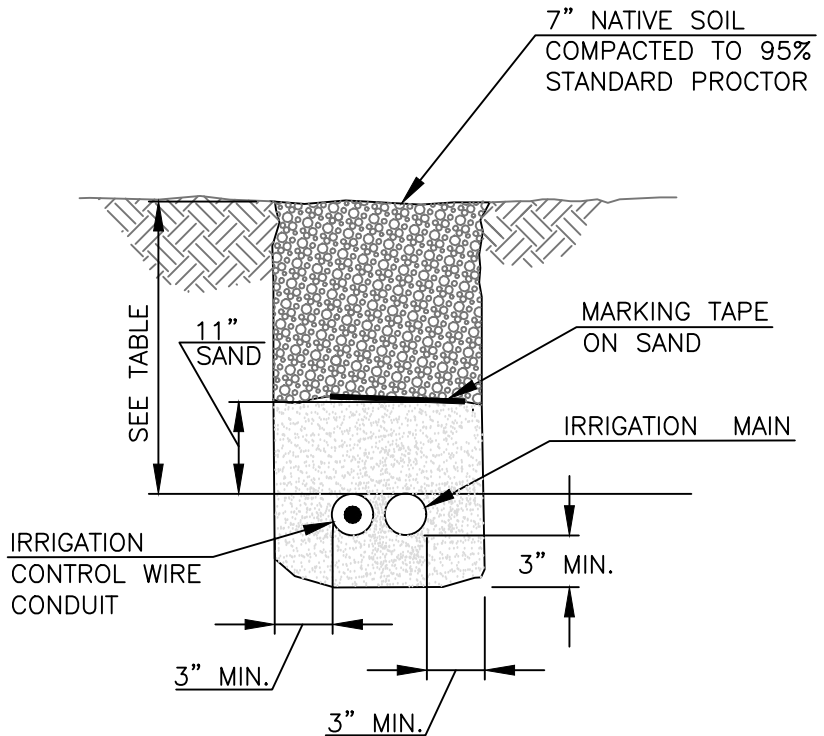
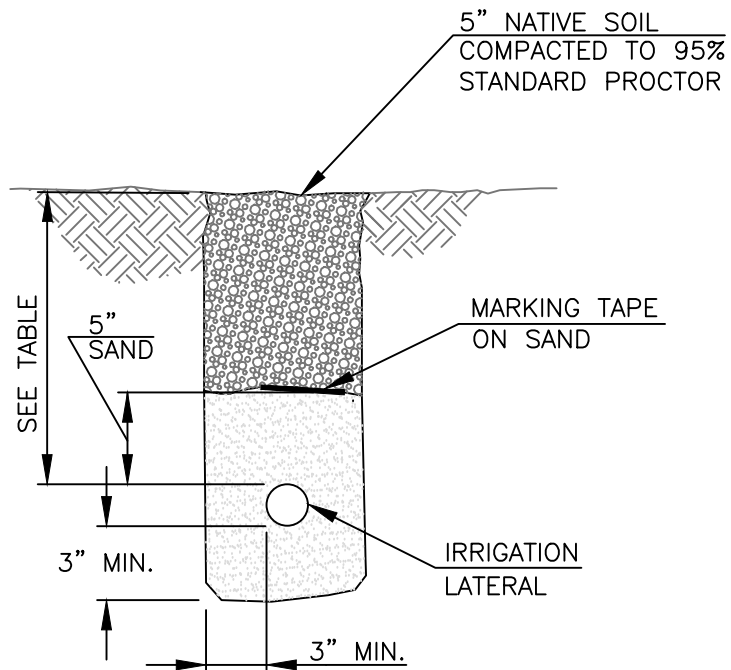


CITY OF SIERRA VISTA  
 1011 North Coronado Drive  
 Sierra Vista, AZ 85635  
 520-458-5775

CITY OF SIERRA VISTA  
 DUMPED RIP RAP  
 EMBANKMENT PROTECTION / ARMOR

REVISED: 06/2021	SCALE: NTS
---------------------	---------------

DETAIL NO:  
**SV556-2**



LINE	DEPTH TYPICAL
IRRIGATION LATERAL	12"
IRRIGATION MAINLINE	18"



CITY OF SIERRA VISTA  
1011 North Coronado Drive  
Sierra Vista, AZ 85635  
520-458-5775

CITY OF SIERRA VISTA  
IRRIGATION TRENCHING AND PIPE INSTALLATION DETAIL

REVISED: 06/2021 SCALE: NTS

DETAIL NO:  
**SV561**